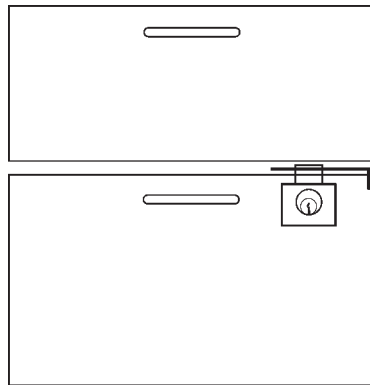


Strikes

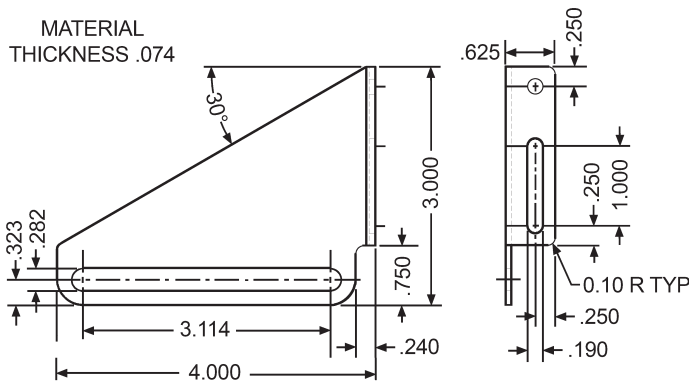
12-4-ZP Frameless Drawer Strike



Attaches to the side of cabinet interior.



MATERIAL THICKNESS .074



Features: Our new frameless drawer strike provides a locking point when there is no frame between drawers. This strike is mounted on the side of the cabinet frame and provides a locking point when no other locking points are available.

Finish: Zinc plated

WARNING: This product can expose you to chemicals including chromium, which is known to the State of California to cause cancer and birth defects or other reproductive harm. For more information go to www.P65Warnings.ca.gov.

