

400SD

R Series: Sliding Door Plunger Lock

SPECIFICATIONS

Keying: Can be keyed together with other R Series locks

Rekeyable: Easily rekeyable via speed-release cylinder release mechanism

US Patent Nos: 4,920,774; 5,121,619

Standard function: Key removable in locked or unlocked position.

Body: Zinc die cast

Cylinder: Solid brass, pin tumbler

Cylinder length: 1"

Barrel diameter: 1"

Finish: 26D, US3 or 10B

Packaged: Packed 10 per box

KEYING INFORMATION

Keyway: R Series (equivalent to CCL R1 system)

Keys: Includes 2 keys per lock

Stock keying: KD/KA - 5 pin standard

Stock KA#: 4T21579, 4T37526

Masterkeyed: 5 pin standard

Grand masterkeyed: Available

Keyblank 5-pin: KBR-5-NP

(equivalent to CO106, 1003A)

INCLUDED ACCESSORIES

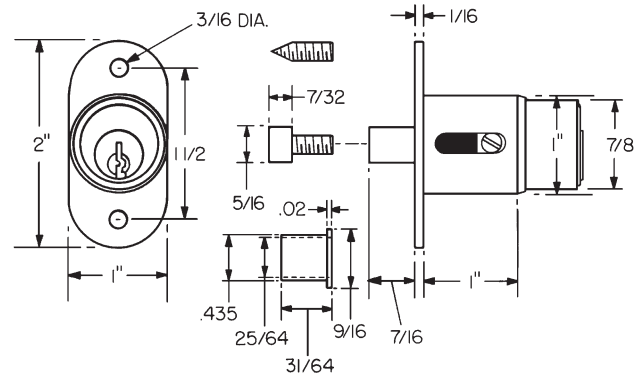
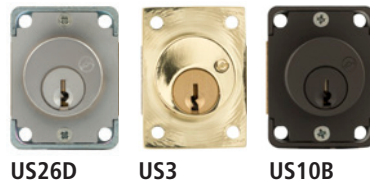
34-9 matching thimble strike

10-24 machine thread bolt extender for varying gaps between bypassing doors

10-24 machine thread strike locator



AVAILABLE FINISHES



WARNING: This product can expose you to chemicals including chromium, which is known to the State of California to cause cancer and birth defects or other reproductive harm. For more information go to www.P65Warnings.ca.gov.

