

# 429R

## R Series: Sliding Door Showcase/Ratchet Lock

*"The industry's first easily rekeyable, small pin tumbler showcase/ratchet lock."*

### SPECIFICATIONS

**Keying:** Can be keyed together with other R Series locks

**Rekeyable:** Easily rekeyable via speed-release cylinder release mechanism

**US Patent No:** 5,121,619

**Body:** Zinc die cast

**Cylinder:** Solid brass, pin tumbler

**Strap:** Nylon coated strap fits 1/4" material

**Finish:** 26D

**Packaged:** Packed 10 per box

### KEYING INFORMATION

**Keyway:** R Series (equivalent to CCL R1 system)

**Stock keying:** KD/KA - 5 pin standard

**Stock KA#:** 4T21579, 4T37526

**Masterkeyed:** 5 pin standard

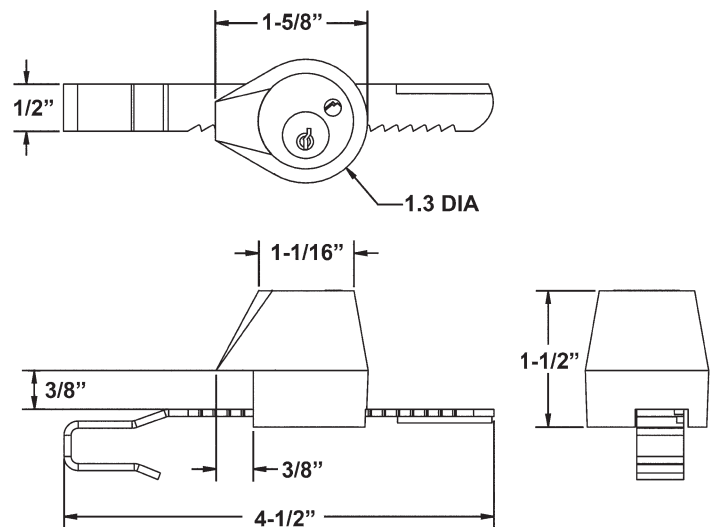
**Grand masterkeyed:** Available

**Keyblank 5-pin:** KBR-5-NP

(equivalent to C0106, 1003A)

### INCLUDED ACCESSORIES

Nylon coated strap with set screws to fit 1/4" material thickness



**WARNING:** This product can expose you to chemicals including chromium, which is known to the State of California to cause cancer and birth defects or other reproductive harm. For more information go to [www.P65Warnings.ca.gov](http://www.P65Warnings.ca.gov).