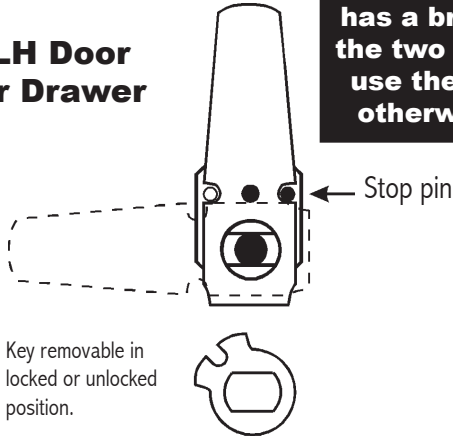


**For 720, 820, 920 Series**  
*1-1/8" diameter cam locks*

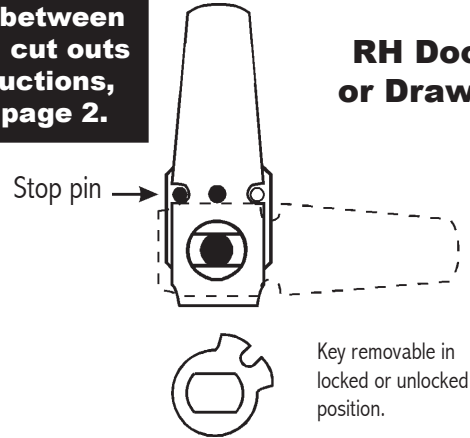
Assembled with vertical long cam  
720-3-2 or extra long 3" cam 720-3-4

**IMPORTANT! If your cam has a brass pin between the two notched cut outs otherwise see page 2.**

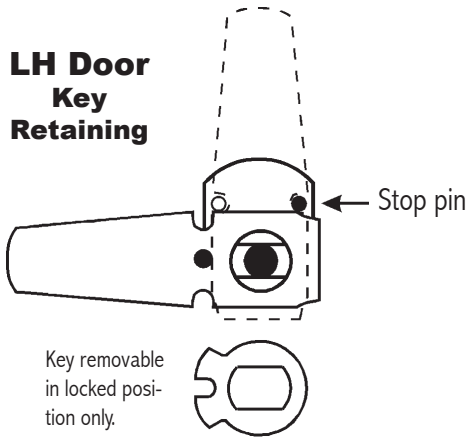
**LH Door or Drawer**



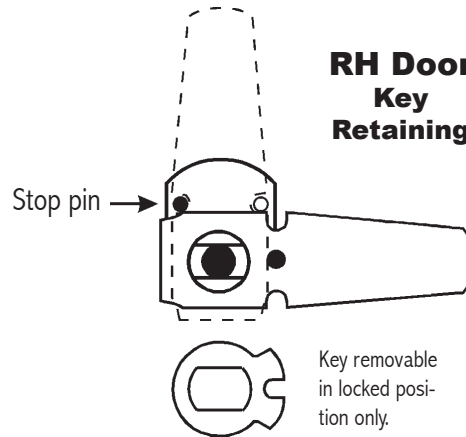
**RH Door or Drawer**



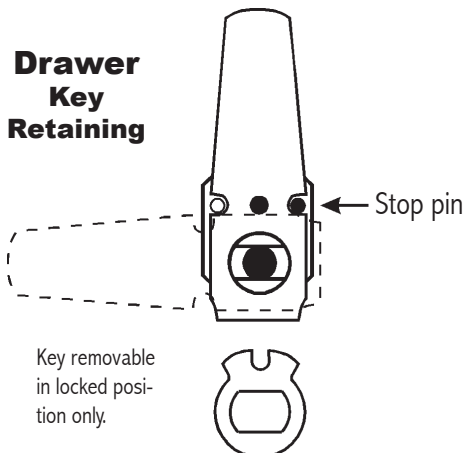
**LH Door Key Retaining**



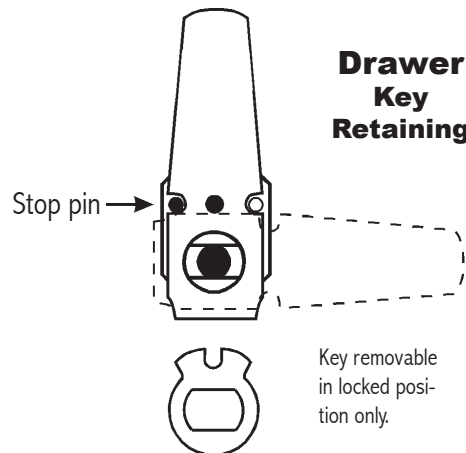
**RH Door Key Retaining**



**Drawer Key Retaining**



**Drawer Key Retaining**

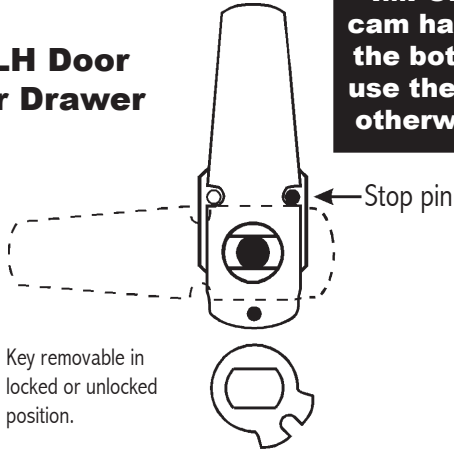


**For 720, 820, 920 Series**  
1-1/8" diameter cam locks

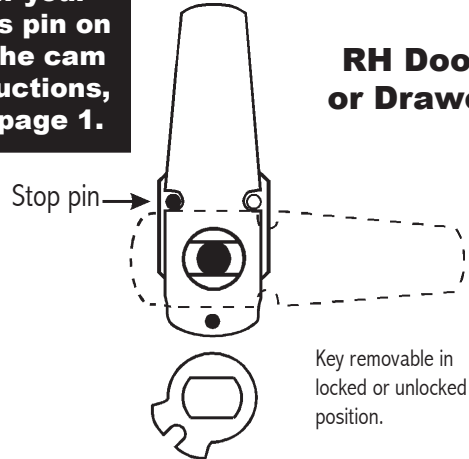
Assembled with vertical long cam  
720-3-2 or extra long 3" cam 720-3-4

**IMPORTANT! If your cam has a brass pin on the bottom of the cam use these instructions, otherwise see page 1.**

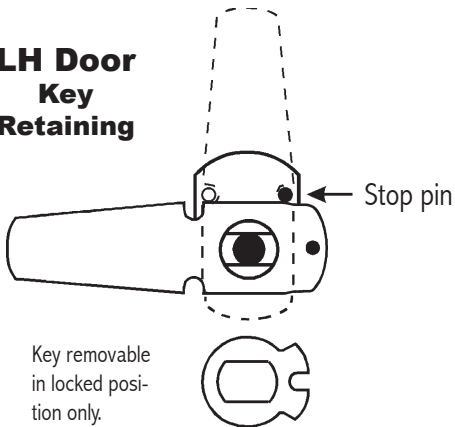
**LH Door or Drawer**



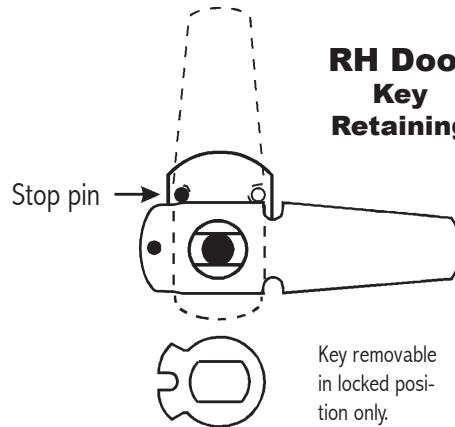
**RH Door or Drawer**



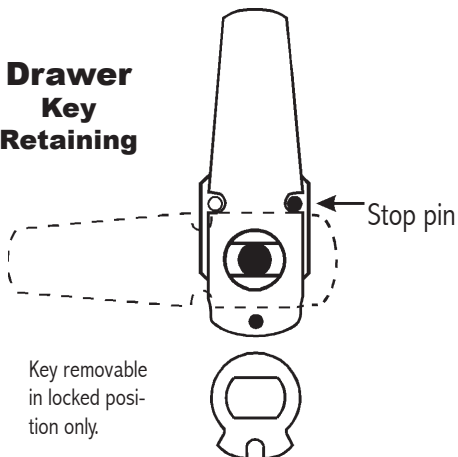
**LH Door Key Retaining**



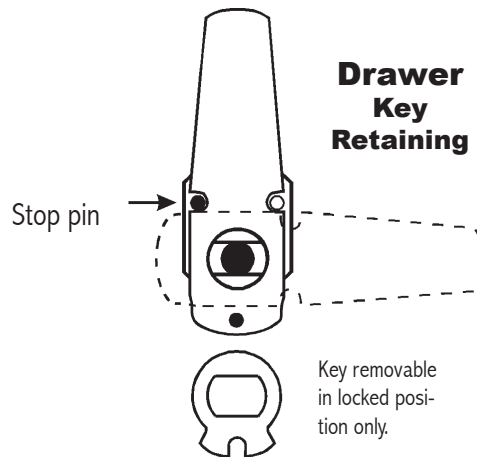
**RH Door Key Retaining**



**Drawer Key Retaining**



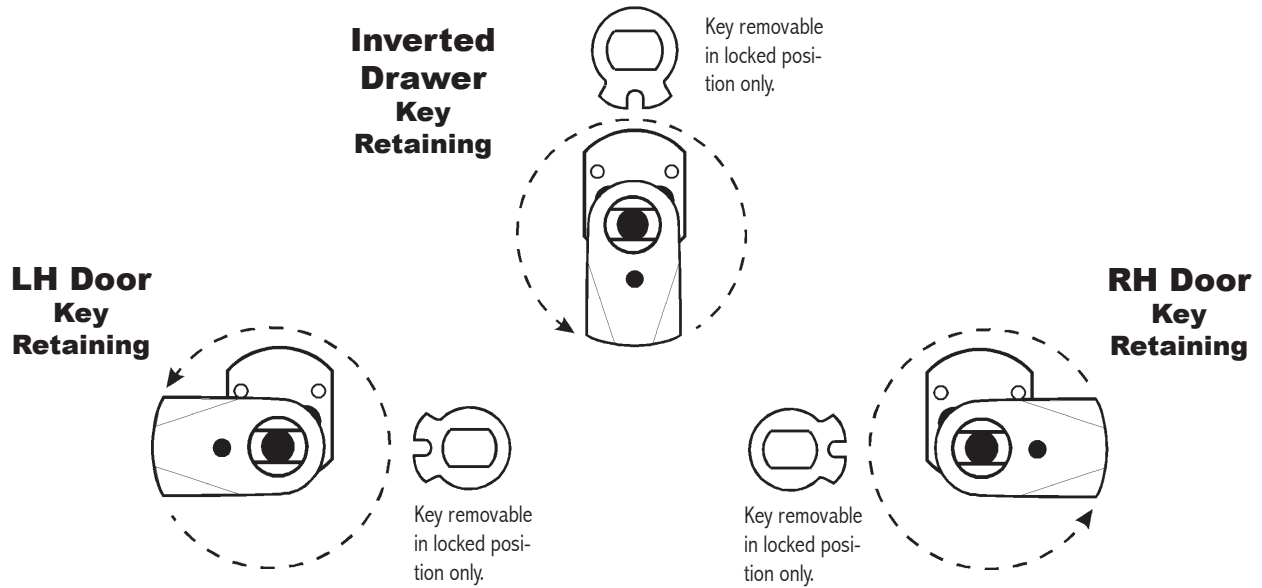
**Drawer Key Retaining**



**For 720, 820, 920 Series**

**Assembled with short cam 720-3-1**

*1-1/8" diameter cam locks*



**Assembled with inverted long cam 720-3-3 or 720-3-5**

