

723S

SFIC: Sliding Door Cylinder Housing



BEST compatible
interchangeable
core cylinders

SPECIFICATIONS

Retrofits: Best 4S

Function: For use on bypassing sliding doors.

Core acts as stop for interior sliding door.

Material: Zinc die cast

Finish: 26D or US26

INCLUDED ACCESSORIES

Screws: Includes 3 sizes of screws (7/16", 3/4" and 1") to adapt lock for use on varying material thicknesses

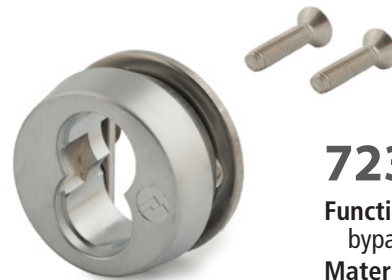
KEYING INFORMATION

Core: Not included, requires special core

Accepts: Best (6C or 6CP), Arrow, Falcon, KSP, Schlage SFIC or equivalent small format interchangeable cores

OPTIONAL ACCESSORIES

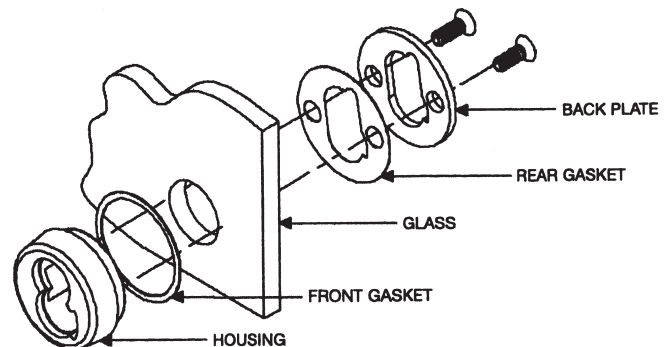
SFIC cores: 207S Series



723S

Function: Sliding door cylinder housing for bypassing sliding doors

Material thickness: Adjustable to fit varying material thickness. Includes three screw lengths: 7/16", 3/4", and 1"



WARNING: This product can expose you to chemicals including chromium, which is known to the State of California to cause cancer and birth defects or other reproductive harm. For more information go to www.P65Warnings.ca.gov.



**OLYMPUS
LOCK** INC

723S

SFIC: Sliding Door Cylinder Housing

OPTIONAL ACCESSORIES

207S Series Cores for use with 723S

- 207S Series 7-pin SFIC cylinder



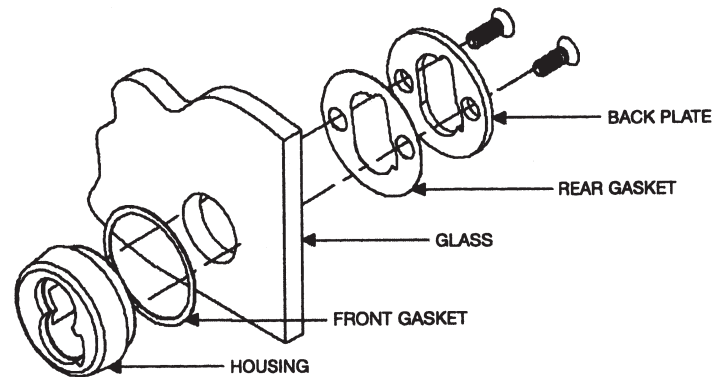
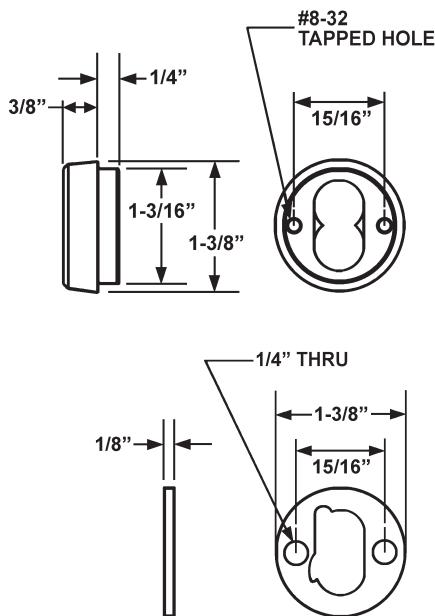
BEST compatible interchangeable core cylinders



AVAILABLE KEYWAYS

A	B	C	D	E	F	G	H	
J	K	L	M	Q	1C	1D	KMT300	

DIMENSIONS | TYPICAL INSTALLATION



Note: Lock can be adjusted for use on different material thicknesses by using an "O" ring or changing the screw length. The 723S ships standard with 3 screw sizes (7/16", 3/4" and 1").