

725 Series

SFIC: Door & Drawer Cabinet Locks



BEST compatible interchangeable core cylinders

ANSI/BHMA Grade 1

GENERAL SPECIFICATIONS

Retrofits: Best 5L Series

Function: Mortise or rim (surface) mounted deadbolt and latch locks

Handing: Available for doors or drawers

Testing: Passed ANSI/BHMA A156.11 Grade 1 performance requirements.

Barrel diameter: 1-1/8"

Cylinder length: 1-1/16" or 1-3/8"

Finish: US26 (polished chrome), US26D (satin chrome), US4 (satin brass), US3 (polished brass) or US10B (oil rubbed bronze). 1-3/8" barrel length locks available in US26D finish only.

KEYING INFORMATION

Cores: Not included

Accepts: Best, Arrow, Falcon, KSP, Schlage SFIC or equivalent small format interchangeable cores

Compatible electronic cylinders: Medeco Nexgen XT or VIDEX CyberLock SFIC cylinders.

ALTERNATE FUNCTIONS

Key-retaining function: Key removable in locked position only. Key retaining function available for drawer vertical only.

Reverse latch: Available for drawer vertical or drawer inverted function (use is for in-swinging doors)

INCLUDED ACCESSORIES

725-1 spacer to fit 6 or 7 pin cores

725-SP series matching strikes

725-PA plastic thumbturn

725 Functions

MD/ML Function: Mortise mount deadbolt or latch cabinet door or drawer locks

RD/RL Function: Rim (surface) mount deadbolt or latch cabinet door or drawer locks



725MD



725ML



725RD



725RL

AVAILABLE FINISHES



US26D



US26



US4



US3



US10B

INCLUDED ACCESSORIES



725-PA



725-SP-MD
for 725MD locks



725-SP-ML
for 725ML locks



725-1

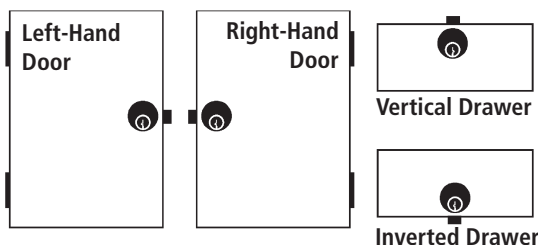


725-SP-RD
for 725RD locks



725-SP-RL
for 725RL locks

HANDING CHART



WARNING: This product can expose you to chemicals including chromium, which is known to the State of California to cause cancer and birth defects or other reproductive harm. For more information go to www.P65Warnings.ca.gov.



**OLYMPUS
LOCK** INC

725 Series

ANSI/BHMA Grade 1

SFIC: Door & Drawer Cabinet Lock

OPTIONAL ACCESSORIES - See our website for a complete list of optional components.

Internal Plastic Spacers

- WP725 1/8" thick plastic spacers
- WP726 1/4" thick plastic spacers

Strikes

- Plastic bar strikes: 10-054, 10-055, 10-057, 10-058. Metal strikes: 10-056 12-1, 12-2, 12-3, 12-4, 725-SP

Trim Ring

- TR78 trim ring



206/207 Series

- 206 Series 6-pin SFIC cylinder
- 207 Series 7-pin SFIC cylinder

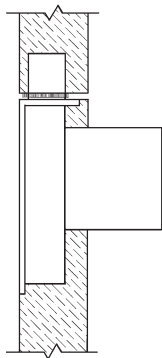


BEST compatible interchangeable core cylinders

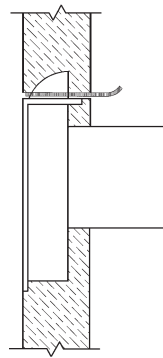
AVAILABLE KEYWAYS

A	B	C	D	E	F	G	H	
J	K	L	M	Q	1C	1D	KMT300	

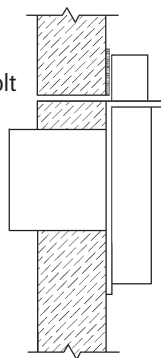
725MD
Mortise
Deadbolt



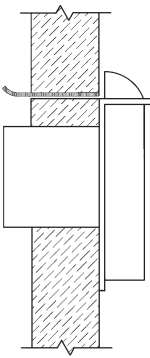
725ML
Mortise
Latch



725RD
Rim
Deadbolt



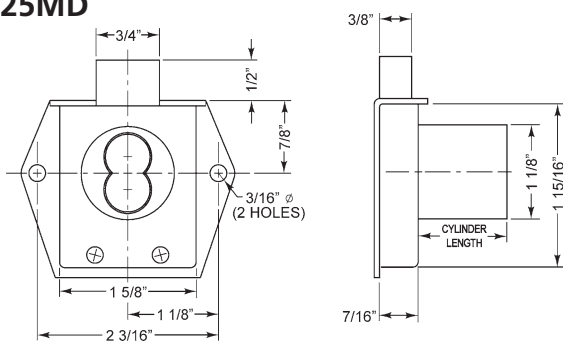
725RL
Rim
Latch



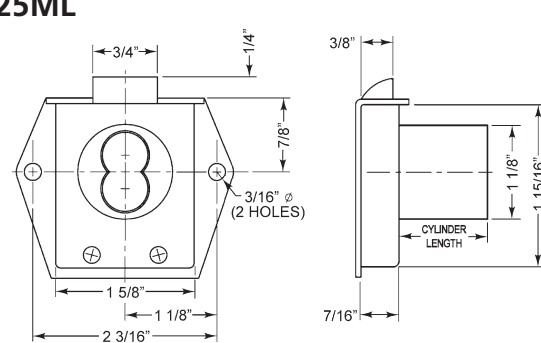
DIMENSIONS

Dimensions are the same for all handings.

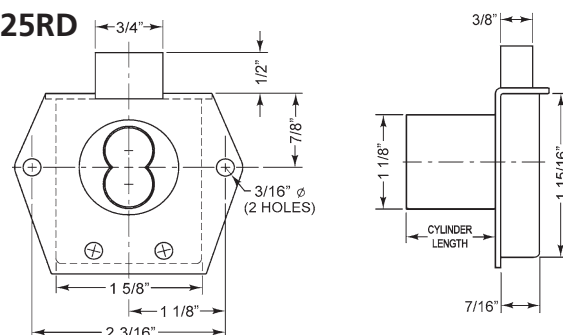
725MD



725ML



725RD



725RL

