

725MD

SFIC: Mortise Deadbolt Door & Drawer Cabinet Lock



BEST compatible interchangeable core cylinders

ANSI/BHMA Grade 1

SPECIFICATIONS

Retrofits: Best 5L7MD

Function: Mortise mounted deadbolt

Handing: Available for doors or drawers

Testing: Passed ANSI/BHMA A156.11 Grade 1 performance requirements.

Barrel diameter: 1-1/8"

Cylinder length: 1-1/16" or 1-3/8"

Finish: US26 (polished chrome), US26D (satin chrome), US4 (satin brass), US3 (polished brass) or US10B (oil rubbed bronze). 1-3/8" barrel length locks available in US26D finish only.

KEYING INFORMATION

Cores: Not included

Accepts: Best, Arrow, Falcon, KSP, Schlage SFIC or equivalent small format interchangeable cores

Compatible electronic cylinders: Medeco Nexgen XT or VIDEX CyberLock SFIC cylinders.

INCLUDED ACCESSORIES

725-1 spacer to fit 6 or 7 pin cores

725-SP-MD slotted rectangular strike

725-PA plastic thumbturn



725MD-DW-VH-26D
drawer vertical

725MD

Function: Deadbolt cabinet door or drawer lock

Standard function: Key removable in locked or unlocked position. Standard locks are non-handed.

Key-retaining function: Key removable in locked position only. Key retaining function available for drawer vertical configuration only.

AVAILABLE FINISHES



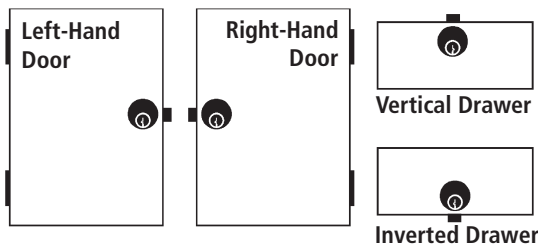
US26D US26 US4 US3 US10B

HANDING



VH IH RH LH

HANDING CHART



INCLUDED ACCESSORIES



725-PA

725-SP-MD

725-1



WARNING: This product can expose you to chemicals including chromium, which is known to the State of California to cause cancer and birth defects or other reproductive harm. For more information go to www.P65Warnings.ca.gov.



**OLYMPUS
LOCK** INC

725MD

ANSI/BHMA Grade 1

SFIC: Mortise Deadbolt Door & Drawer Cabinet Lock

OPTIONAL ACCESSORIES - See our website for a complete list of optional components.

Internal Plastic Spacers

- WP725 1/8" thick plastic spacers
- WP726 1/4" thick plastic spacers

Strikes

- Plastic bar strikes: 10-054, 10-055, 10-057, 10-058. Metal strikes: 10-056 12-1, 12-2, 12-3, 12-4, 725-SP

Trim Ring

- TR78 trim ring



WP725



WP726

206/207 Series

- 206 Series 6-pin SFIC cylinder
- 207 Series 7-pin SFIC cylinder



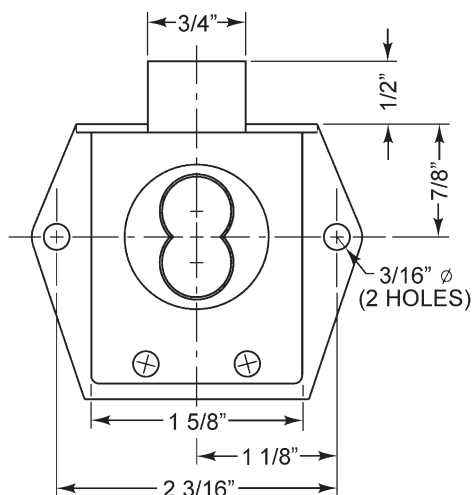
BEST compatible interchangeable core cylinders



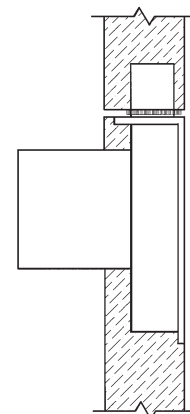
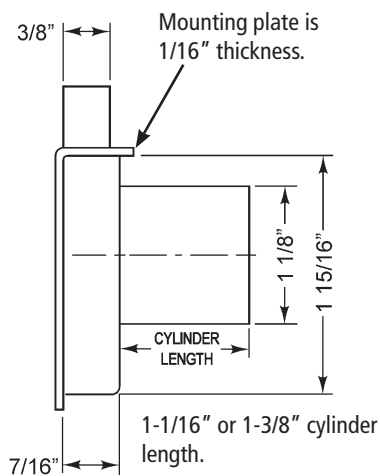
AVAILABLE KEYWAYS

A	B	C	D	E	F	G	H	
J	K	L	M	Q	1C	1D	KMT300	

DIMENSIONS | TYPICAL INSTALLATION



Dimensions are the same for all handings.



Mortise Deadbolt
725MD