

725ML

ANSI/BHMA Grade 1

SFIC: Mortise Latch Door & Drawer Cabinet Lock



BEST compatible interchangeable core cylinders

GENERAL SPECIFICATIONS

Retrofits: Best 5L7ML
Function: Mortise mounted latch
Handing: Available for doors or drawers
Reverse latch: This option is available for vertical or inverted function.
Testing: Passed ANSI/BHMA A156.11 Grade 1 performance requirements.
Barrel diameter: 1-1/8"
Cylinder length: 1-1/16" or 1-3/8"
Finish: US26 (polished chrome), US26D (satin chrome), US4 (satin brass), US3 (polished brass) or US10B (oil rubbed bronze). 1-3/8" barrel length locks available in US26D finish only.

KEYING INFORMATION

Cores: Not included
Accepts: Best, Arrow, Falcon, KSP, Schlage SFIC or equivalent small format interchangeable cores
Compatible electronic cylinders: Medeco Nexgen XT or VIDEX CyberLock SFIC cylinders.

INCLUDED ACCESSORIES

725-1 spacer to fit 6 or 7 pin cores
 725-SP-ML slotted lipped strike
 725-PA plastic thumbturn

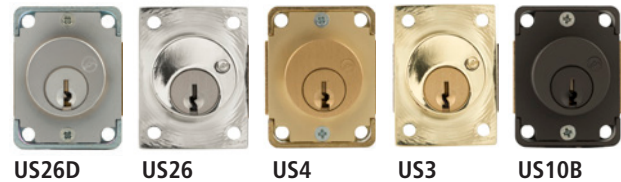


725ML-DW-VH
drawer vertical

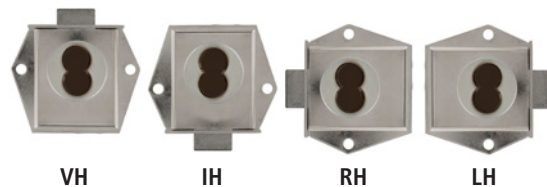
725ML

Function: Cabinet door or drawer latch lock
Reverse latch (optional): Available for drawer vertical or drawer inverted function (use is for in-swinging doors)

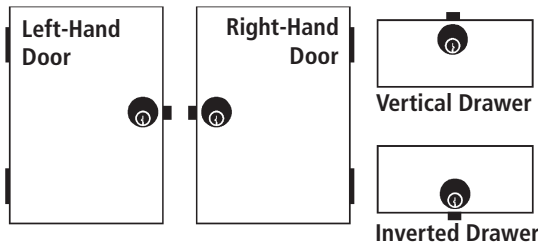
AVAILABLE FINISHES



HANDING



HANDING CHART



INCLUDED ACCESSORIES



WARNING: This product can expose you to chemicals including chromium, which is known to the State of California to cause cancer and birth defects or other reproductive harm. For more information go to www.P65Warnings.ca.gov.



725ML

ANSI/BHMA Grade 1

SFIC: Mortise Latch Door & Drawer Cabinet Lock

OPTIONAL ACCESSORIES

Internal Plastic Spacers

- WP725 1/8" thick plastic spacers
- WP726 1/4" thick plastic spacers

Strikes

- Plastic bar strikes: 10-054, 10-055, 10-057, 10-058. Metal strikes: 10-056 12-1, 12-2, 12-3, 12-4, 725-SP

Trim Ring

- TR78 trim ring



WP725



WP726

206/207 Series

- 206 Series 6-pin SFIC cylinder
- 207 Series 7-pin SFIC cylinder

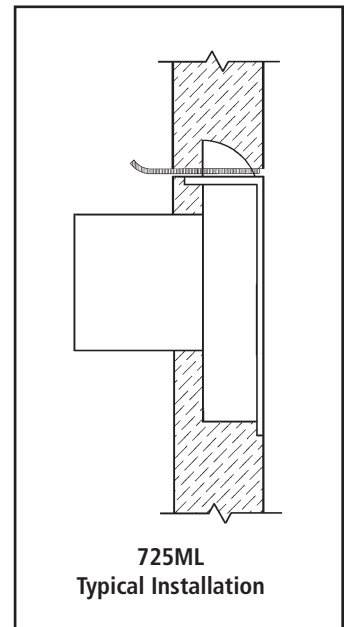


BEST compatible interchangeable core cylinders

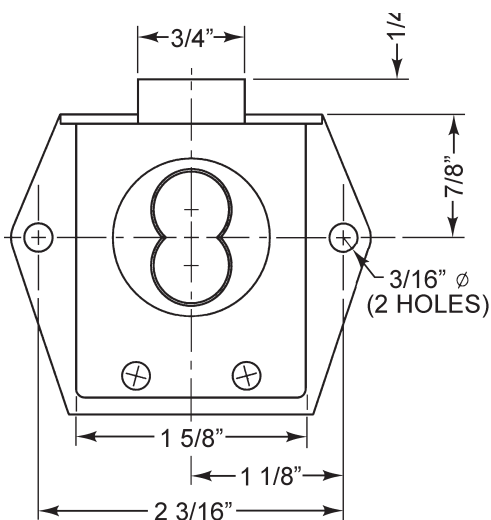


AVAILABLE KEYWAYS

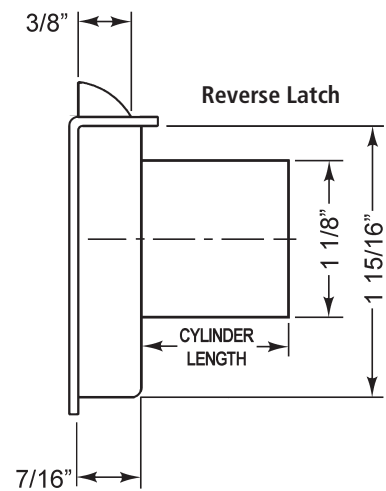
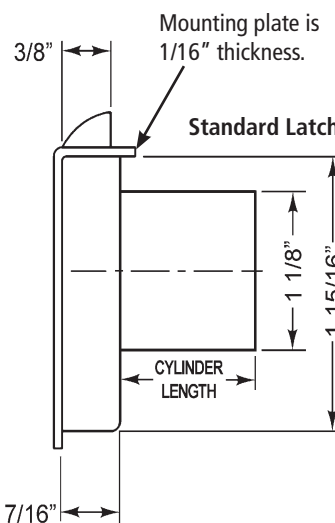
A	B	C	D	E	F	G	H	
J	K	L	M	Q	1C	1D	KMT300	



DIMENSIONS | TYPICAL INSTALLATION



Dimensions are the same for all handings.



1-1/16" or 1-3/8" cylinder length. 1-3/8" cylinder length is available in US26D finish only.