

725RL

SFIC: Rim Latch Door & Drawer Cabinet Lock



BEST compatible interchangeable core cylinders

ANSI/BHMA Grade 1

GENERAL SPECIFICATIONS

Retrofits: Best 5L7RL
Function: Rim (surface) mounted latch
Handing: Available for doors or drawers
Reverse latch: This option is available for vertical or inverted function
Testing: Passed ANSI/BHMA A156.11 Grade 1 performance requirements.
Barrel diameter: 1-1/8"
Cylinder length: 1-1/16" or 1-3/8"
Finish: US26 (polished chrome), US26D (satin chrome), US4 (satin brass), US3 (polished brass) or US10B (oil rubbed bronze). 1-3/8" barrel length locks available in US26D finish only.

KEYING INFORMATION

Cores: Not included
Accepts: Best, Arrow, Falcon, KSP, Schlage SFIC or equivalent small format interchangeable cores
Compatible electronic cylinders: Medeco Nexgen XT or VIDEX CyberLock SFIC cylinders.

INCLUDED ACCESSORIES

725-1 spacer to fit 6 or 7 pin cores
 725-SP-RL solid lipped strike
 725-PA plastic thumbturn



725RL-DW-VH-26D
drawer vertical

725RL

Function: Deadbolt cabinet door or drawer lock
Reverse latch (optional): Available for drawer vertical or drawer inverted function (use is for in-swinging doors)

AVAILABLE FINISHES



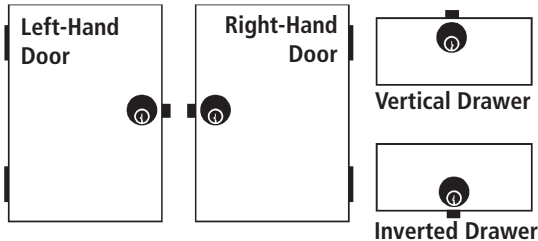
US26D US26 US4 US3 US10B

HANDING



VH IH RH LH

HANDING CHART



INCLUDED ACCESSORIES



725-PA

725-SP-RL

725-1

WARNING: This product can expose you to chemicals including chromium, which is known to the State of California to cause cancer and birth defects or other reproductive harm. For more information go to www.P65Warnings.ca.gov.



725RL

ANSI/BHMA Grade 1

SFIC: Rim Latch Door & Drawer Cabinet Lock

OPTIONAL ACCESSORIES - See our website for a complete list of optional components.

Internal Plastic Spacers

- WP725 1/8" thick plastic spacers
- WP726 1/4" thick plastic spacers

Strikes

- Plastic bar strikes: 10-054, 10-055, 10-057, 10-058. Metal strikes: 10-056 12-1, 12-2, 12-3, 12-4, 725-SP

Trim Ring

- TR78 trim ring



WP725



WP726

206/207 Series

- 206 Series 6-pin SFIC cylinder
- 207 Series 7-pin SFIC cylinder

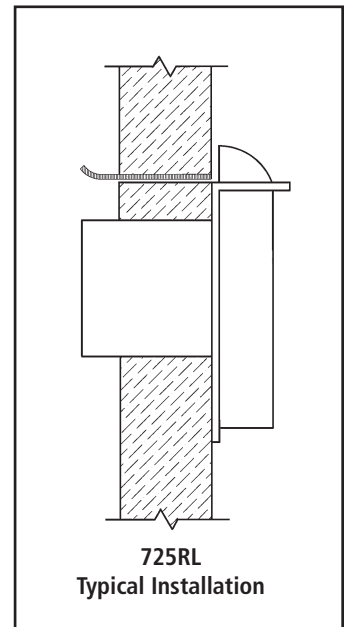


BEST compatible interchangeable core cylinders

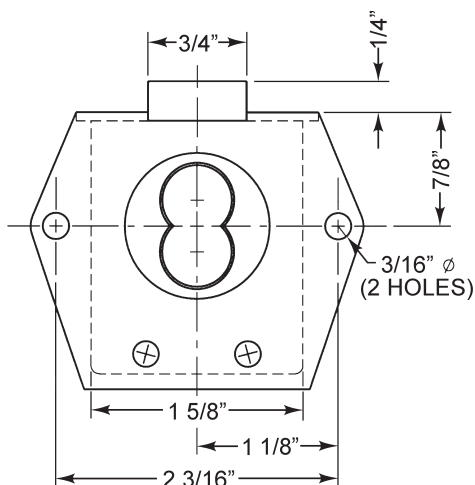


AVAILABLE KEYWAYS

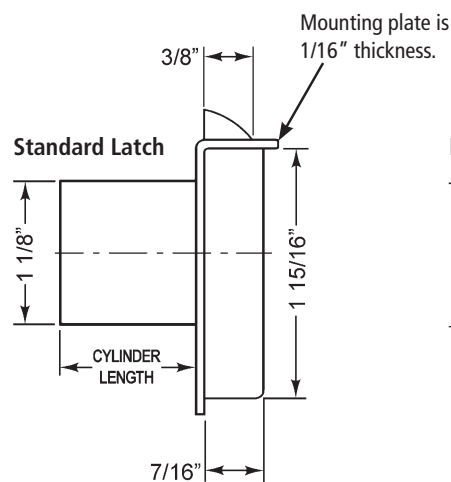
A	B	C	D	E	F	G	H	
J	K	L	M	Q	1C	1D	KMT300	



DIMENSIONS | TYPICAL INSTALLATION



Dimensions are the same for all handings.



1-1/16" or 1-3/8" cylinder length. 1-3/8" cylinder length is available in US26D finish only.