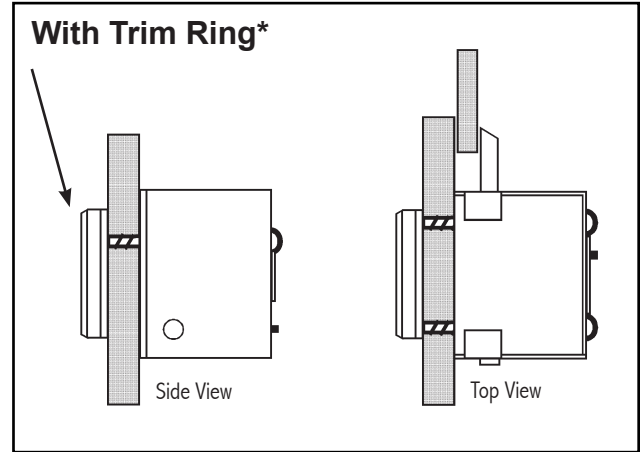
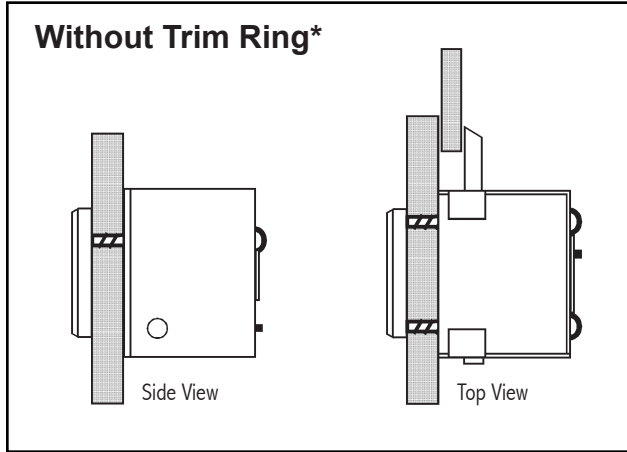


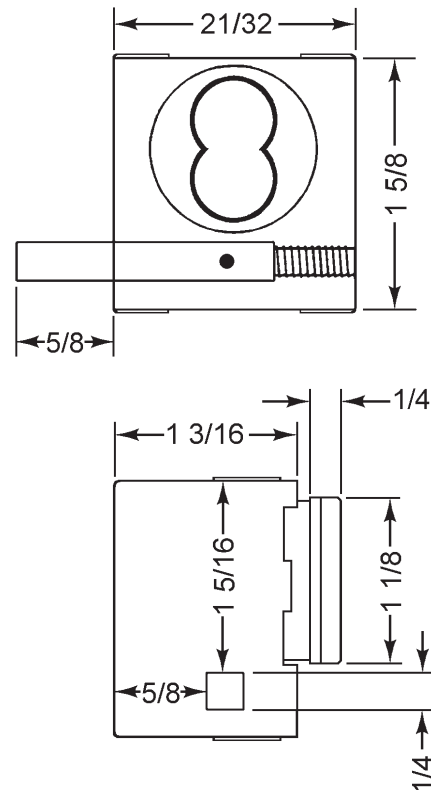
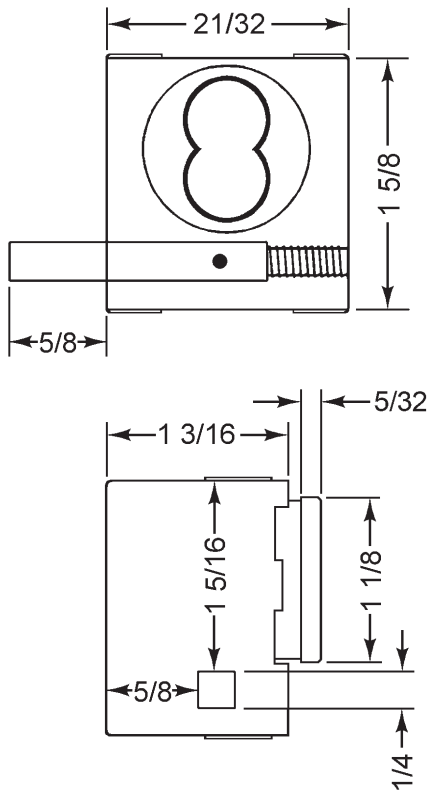
# Installation Instructions

## 728MBL

For metal mail boxes



\* Optional trim ring may be required for thin gauge metal doors when used with 7-pin SFIC cylinders



Title

Installation instructions for 728MBL series mail box lock

Series

728MBL

Barrel Length

n/a

Bolt type

Spring Latch

Mounting

Surface

Revision Date

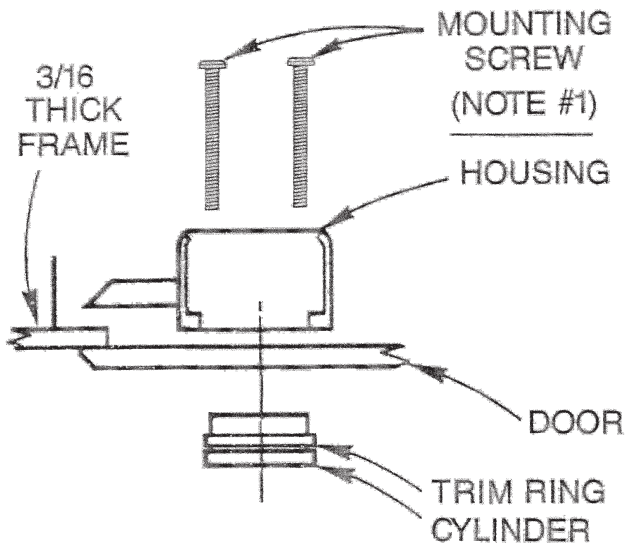
07/2017

**OLYMPUS**  
LOCK, INC.

# 728MBL

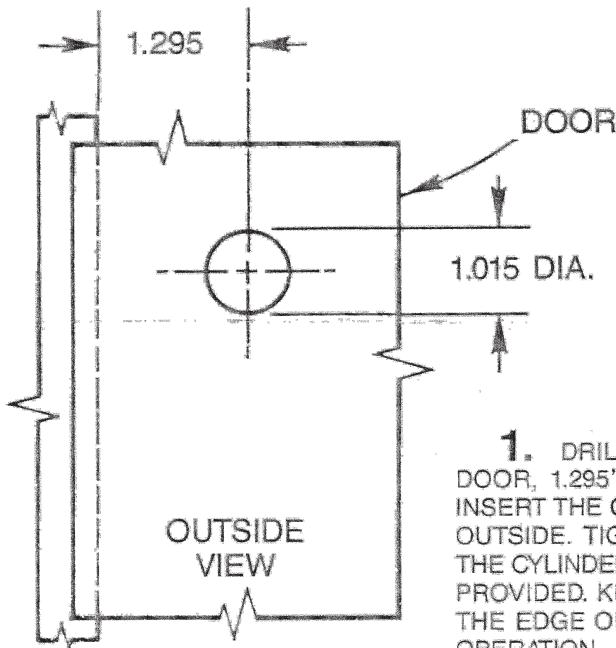
For metal mail boxes

**NOTE:** Actual installation will vary depending upon the specific mailbox manufacturer and dimensions of the metal enclosure and door.



THICKER DOORS DO NOT REQUIRE THE USE OF THE INCLUDED TRIM RING.

THINNER DOORS REQUIRE USE OF THE INCLUDED TRIM RING SO THAT 7-PIN SFIC CYLINDERS WILL FIT INTO THE LOCK.



**1.** DRILL A 1.015" DIAMETER HOLE IN THE DOOR, 1.295" FROM THE EDGE OF THE FRAME. INSERT THE CYLINDER INTO THE HOLE FROM THE OUTSIDE. TIGHTEN THE HOUSING SECURELY TO THE CYLINDER WITH THE TWO MOUNTING SCREWS PROVIDED. KEEP THE LATCH PERPENDICULAR TO THE EDGE OF THE DOOR. CHECK FOR CORRECT OPERATION.

Title <b>Installation instructions for 728MBL series mail box lock</b>				
Series <b>728MBL</b>	Barrel Length <b>n/a</b>	Bolt type <b>Spring Latch</b>	Mounting <b>Surface</b>	Revision Date <b>07/2017</b>

