

728MBL

SFIC: Mail Box Lock



BEST compatible interchangeable core cylinders

SPECIFICATIONS

- Retrofits:** Best 8L
- Handing:** Right-hand standard
- Material:** Zinc die cast cylinder housing, steel body
- Installation:** Fits most common metal mail box door designs
- Size:** Adjustable
- Finish:** 26D
- Packaged:** Packed 10 per box

KEYING INFORMATION

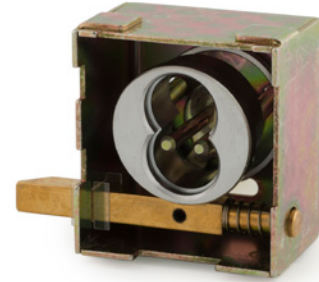
- Cores:** Not included
- Accepts:** Best, Arrow, Falcon, KSP, Schlage SFIC or equivalent small format interchangeable cores
- Compatible electronic cylinders:** Medeco Nexgen XT or VIDEX CyberLock SFIC cylinders

OPTIONAL ACCESSORIES

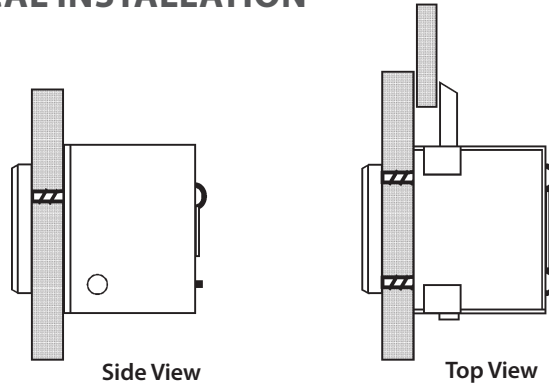
SFIC Cores: 206/207 Series

728MBL

Function: Mail box lock
Size: Adjustable



TYPICAL INSTALLATION



ACCESSORIES

206/207 Series

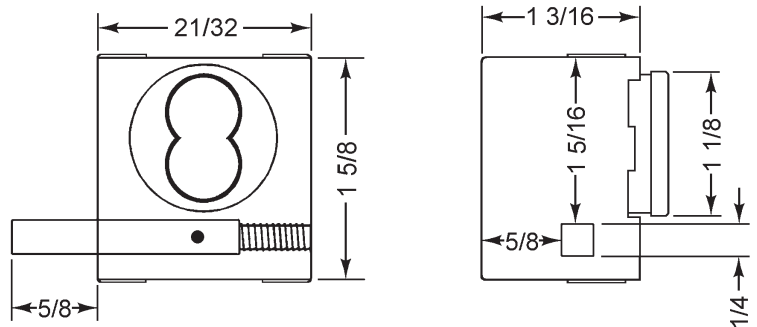
- 206 Series 6-pin SFIC cylinder
- 207 Series 7-pin SFIC cylinder



AVAILABLE KEYWAYS

A	B	C	D	E	F	G	H	
J	K	L	M	Q	1C	1D	KMT300	

DIMENSIONS



WARNING: This product can expose you to chemicals including chromium, which is known to the State of California to cause cancer and birth defects or other reproductive harm. For more information go to www.P65Warnings.ca.gov.

© 2019 Olympus Lock, Inc.

