

# 78-KABA-CONV

## KABA-Peaks Cylinder Conversion Kit

### SPECIFICATIONS

For use with Olympus 700LC and 800LC (less cylinder) cabinet locks. The conversion kit requires the use of the C-form flat washer supplied with the KABA-Peaks cylinder. The washer is needed to keep the Olympus tailpiece on center while operating the lock.

#### WORKS WITH:

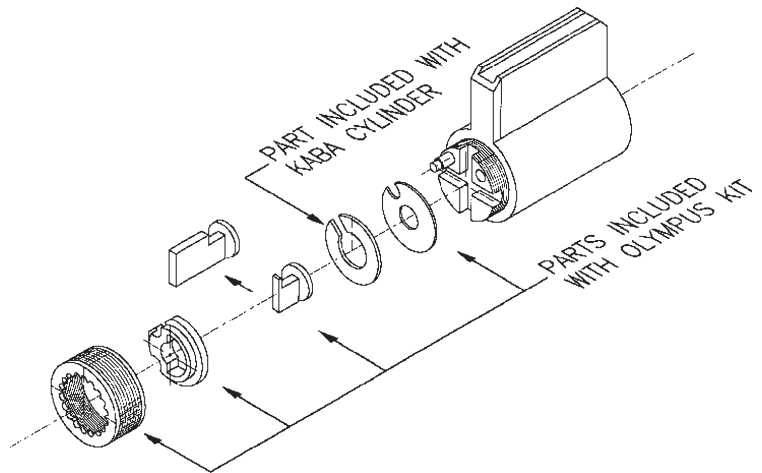
KABA-Peaks universal cylinder

#3400-XX-1099 (where "XX" denotes finish)

Mul-T-Lock cylinders

### 78-KABA-CONV

Allows the Olympus 700LC or 800LC (less cylinder) cabinet locks to be used with KABA-Peaks cylinders.



700LC: Cabinet door lock



800LC: Cabinet drawer lock



**WARNING:** This product can expose you to chemicals including chromium, which is known to the State of California to cause cancer and birth defects or other reproductive harm. For more information go to [www.P65Warnings.ca.gov](http://www.P65Warnings.ca.gov).



**OLYMPUS  
LOCK**  
INC