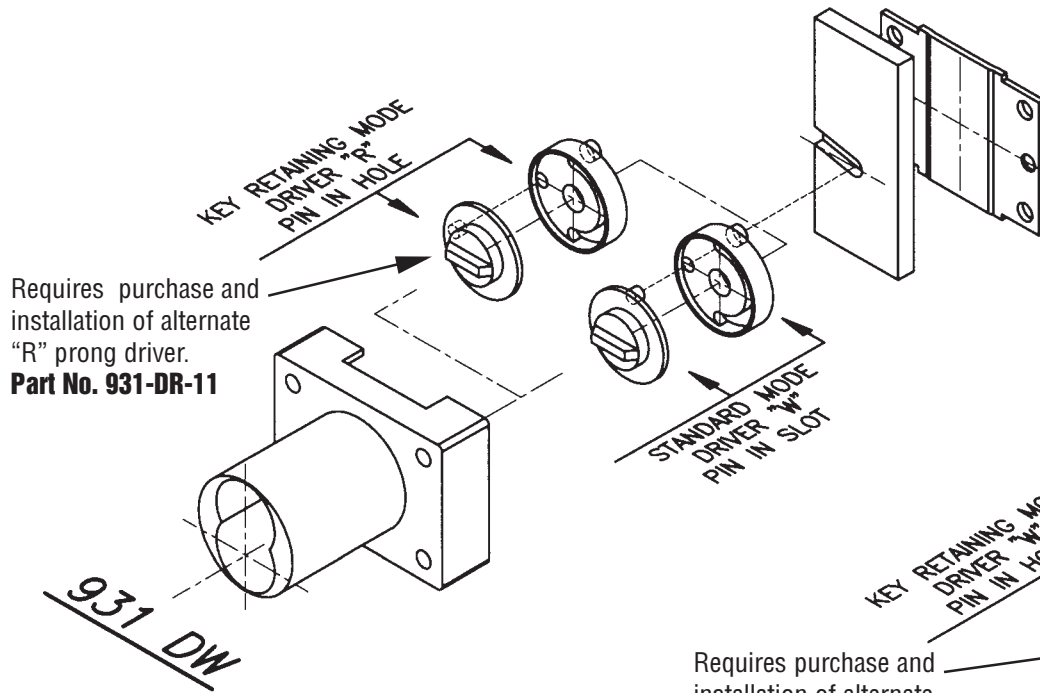
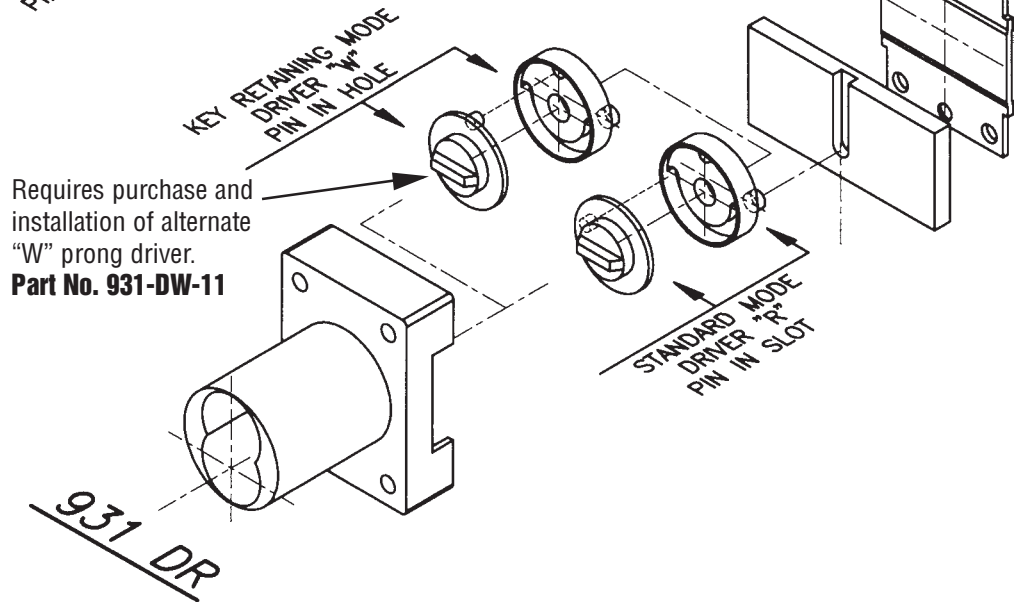


Converting the 931 to Key-Retaining Function



Requires purchase and installation of alternate "R" prong driver.
Part No. 931-DR-11

IMPORTANT: In order for lock to function correctly, the lock must be cycled into the "locked" position before inserting the core.



Requires purchase and installation of alternate "W" prong driver.
Part No. 931-DW-11

NOTE: Alternate prong drivers are available from Olympus and must be purchased in addition to the lock in order to convert to key retaining.



18424 Highway 99 · Lynnwood, WA 98037
800-525-0954 · 206-362-3290 · Fax 206-362-3569
info@olympus-lock.com · www.olympus-lock.com