

B7 SERIES

3/4" Cam Lock
With BEST keyways



BEST Keyway
(non-SFIC)

Available BEST Keyways
A, B, E, F, G, J, K, L and R

This product is available in keyways that **match existing BEST original keyways** and can be keyed into **existing systems** using these BEST keyways.

SPECIFICATIONS

- Function:** Cam lock
- Rekeyable:** Easily rekeyable via cylinder retainer clip
- US Patent Nos:** 5,038,589; 5,737,950
- Retrofits:** Best 5E
- Usage:** Commonly used as locking device on medical carts (see also our 724VR medical cart/file cabinet lock for use on medical carts)
- Body:** Zinc die cast
- Cylinder:** Zinc die cast pin tumbler, drilled for 7 pins
- Standard function:** Key removable in locked or unlocked position.
- Key retaining function:** Alternate key-retaining shifters are available separately for key removable in locked position only
- Cams:** 2 reversible cams work in all positions
- Finish:** 26D
- Packaged:** Packed 10 per box

KEYING INFORMATION

- Keyways:** A,B,E,F,G,J,K,L,R
- Keys:** Includes 2 keys per lock
- Stock keying:** O-Bit
- Keying:** Custom and/or masterkeying available. Specify at time of order. Can be keyed into existing BEST SFIC systems using the same keyway.

INCLUDED ACCESSORIES

- Trim collar
- Straight cam #DCNP-100-SC
- Offset cam #DCNP-100-BC
- Anti-rotation plate #DCNP-500-ARP

OPTIONAL ACCESSORIES

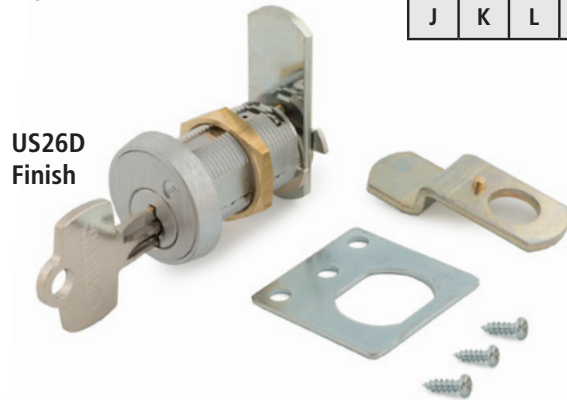
- Alternate cams
- Key retaining drawer cam shifter #DCNP-100-KR
- Key retaining door cam shifter #DCNP-100-KDR

B7

- Keyway:** Available in 9 popular BEST keyways. Can be used in existing BEST systems using the keyways indicated. →
- Retrofits:** Equivalent to BEST 5E Series.
- Handing:** Includes 2 cams that work in all handings (door or drawer)

AVAILABLE KEYWAYS

| | | | | |
|---|---|---|---|---|
| | | | | |
| A | B | E | F | G |
| | | | | |
| J | K | L | R | |

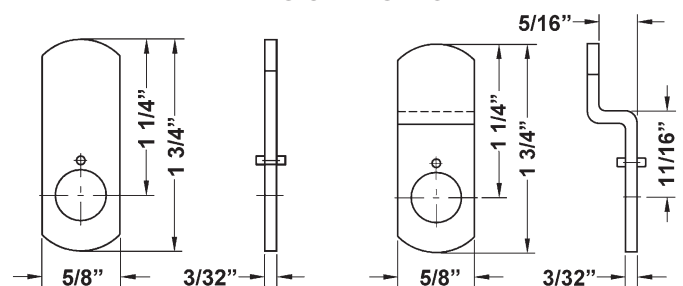


US26D
Finish

B7 SERIES FEATURES

- Non-handed—Field reversible locking positions: right-hand, left-hand, vertical and inverted
- Easy rekeyability—Allows for a quick installation and increased productivity
- Only 2 cams required—Ships with reversible straight and offset cams that meet requirements of all locking positions
- Anti-rotation plate—Eliminates lock rotation, prevents loosening of fixing nut, and provides additional security in particleboard applications

INCLUDED CAMS



DCNP-100-SC
straight cam

DCNP-100-BC
offset reversible cam



WARNING: This product can expose you to chemicals including chromium, which is known to the State of California to cause cancer and birth defects or other reproductive harm. For more information go to www.P65Warnings.ca.gov.



**OLYMPUS
LOCK**
INC

B7 SERIES



BEST Keyway
(non-SFIC)

3/4" Cam Lock With BEST keyways

Available **BEST** Keyways
A, B, E, F, G, J, K, L and R

OPTIONAL ACCESSORIES - See our website for a complete list of optional components.

Other Accessories

Key-retaining cam shifters

- For door function: DCNP-200-KDR
- For Drawer function: DCNP-200-KR

Washers

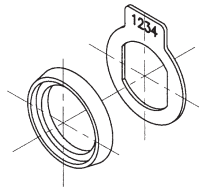
- Pronged wood washer: DCNP-SPW
- Self-adhesive clear plastic washer for mounting lock on glass: DCNP-GW

Finger Pull

- Finger pull: DCNP-300-FP

Number Plates & Kits

- T37-NKIT number plate kit
- T37DC-NP number plate only



T37-NKIT Number Plate Kit

Includes both pieces.
For number plate only, use
item # T37DC-NP

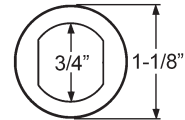


DCNP-SPW
pronged wood washer



DCNP-GW

self-adhesive clear plastic washer for
mounting lock on glass

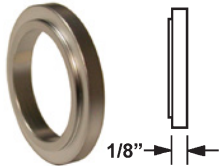


DCNP-300-FP

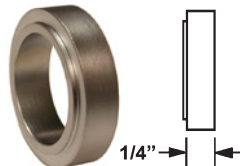
TRB7 Series Trim Collars

Finish: US26D

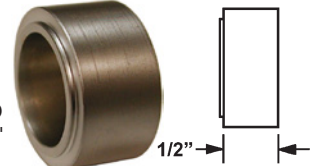
TRB7-18-26D
Spacer collar, 1/8"



TRB7-14-26D
Spacer collar, 1/4"



TRB7-12-26D
Spacer collar, 1/2"



Optional Cams

Note: Offset cams are reversible and can be used in either the inbent or outbent position.

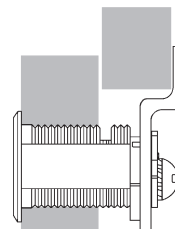
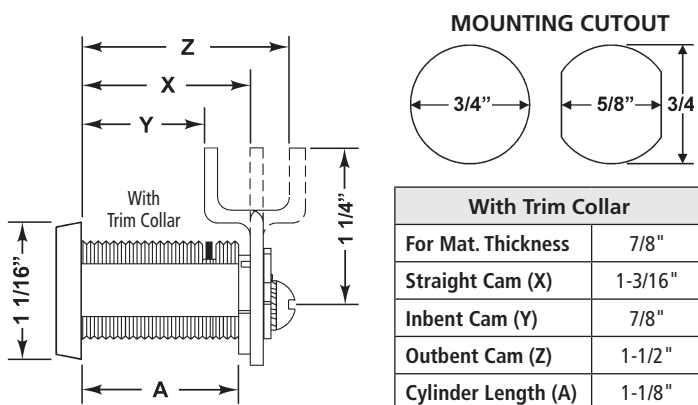
| Item | Description / Packed Each |
|--------------|---------------------------|
| DCNP-HD-875 | 7/8" long straight cam |
| DCNP-HD-1 | 1" long straight cam |
| DCNP-100-SC | 1-1/4" long straight cam |
| DCNP-100-SC2 | 1-3/4" long straight cam |
| DCNP-100-SC3 | 1-1/2" long straight cam |
| DCNP-100-LC | 3" long straight cam |

| Item | Description / Packed Each |
|--------------|------------------------------------|
| DCNP-100-BC | 1-1/4" long cam, 5/16" offset |
| DCNP-100-BC5 | 1-1/4" long cam, 1/2" offset |
| DCNP-100-HC1 | 1-1/2" long hook cam, 5/16" offset |
| DCNP-100-HD | 1-7/16" long cam, 1/2" offset |
| DCNP-100-HD2 | 1-3/4" long cam, 5/16" offset |
| DCNP-100-HD3 | 1-1/8" long cam, 5/16" offset |
| DCNP-100-LBC | 1-1/2" long cam, 5/16" offset |

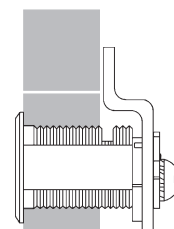
| Item | Description / Packed Each |
|-------------|-------------------------------|
| DCNP-100-B1 | Straight cam with oval cutout |
| DCNP-100-B2 | U-shaped cam |
| DCNP-100-B3 | Straight hook cam |
| DCNP-100-WB | Short cam / 90° offset arm |

>> Visit our website www.olympuslock.com for complete dimension and descriptions of available optional cams.

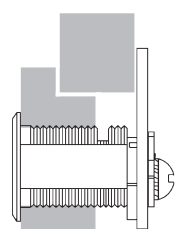
DIMENSIONS | TYPICAL INSTALLATION



Overlay



Flush



Lipped/Overlay