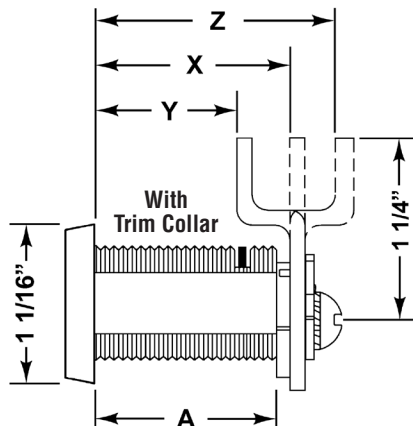


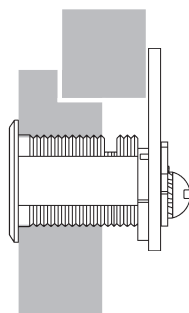
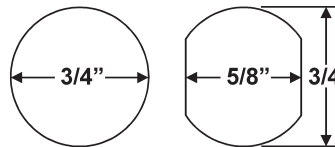
B7 Series



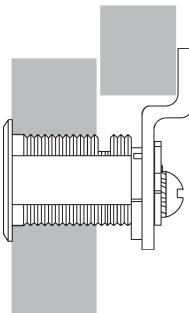
Cam Lock Dimensions

With Trim Collar	
For Mat. Thickness	7/8"
Straight Cam (X)	1-3/16"
Inbent Cam (Y)	7/8"
Outbent Cam (Z)	1-1/2"
Cylinder Length (A)	1-1/8"

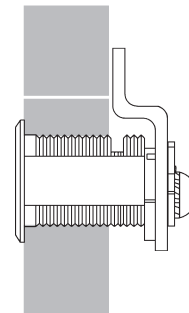
Mounting Cutout



**Lipped/
Overlay**

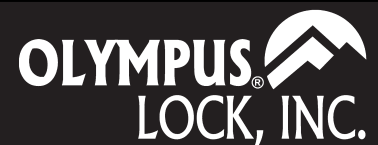


Overlay



Flush

Title Installation instructions for B7 series cam lock				
Series B7	Barrel Length See Chart	Bolt type Cam Lock	Mounting Surface	Revision Date 11/2012



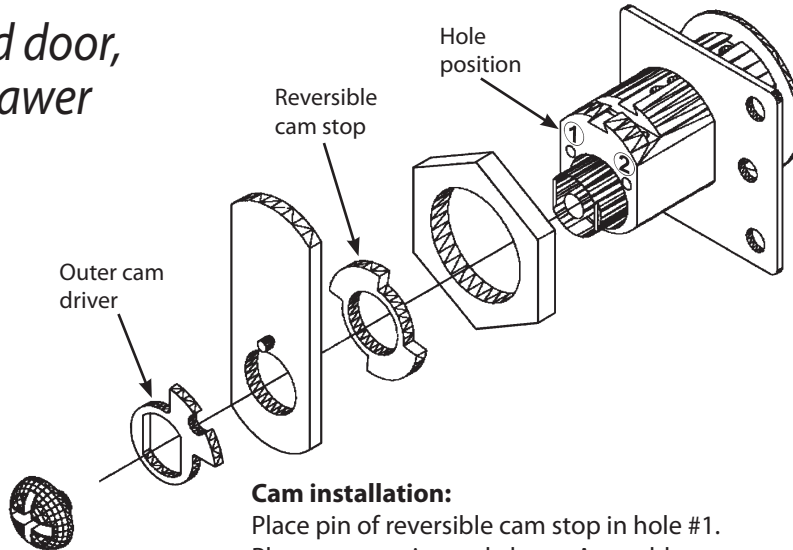
B7

All below configurations can be used with straight cam or offset cam (in either the inbent or outbent position).

Function:
right-hand door,
vertical drawer



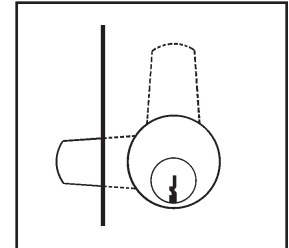
Rear view



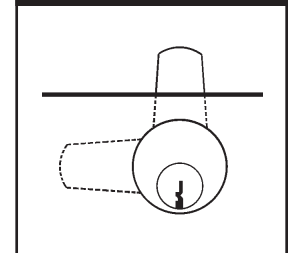
Cam installation:

Place pin of reversible cam stop in hole #1. Place cam as pictured above. Assemble outer cam driver so that the pin from the cam is to left of the "ears." Screw in cam screw until tight.

DOOR



Key removable
at 9:00 or 12:00

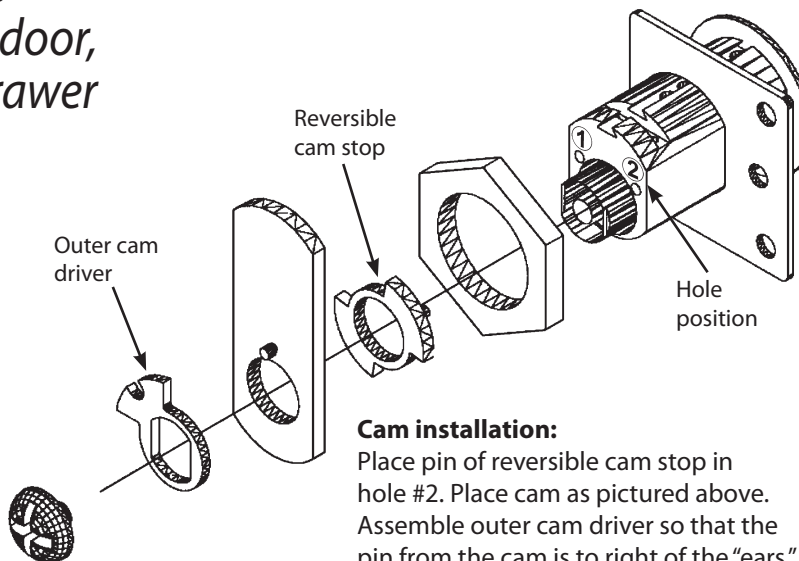


DRAWER

Function:
left-hand door,
vertical drawer



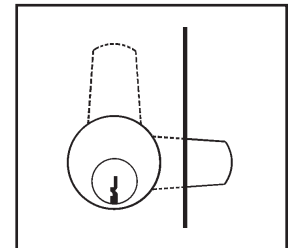
Rear view



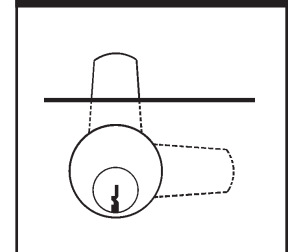
Cam installation:

Place pin of reversible cam stop in hole #2. Place cam as pictured above. Assemble outer cam driver so that the pin from the cam is to right of the "ears." Screw in cam screw until tight.

DOOR

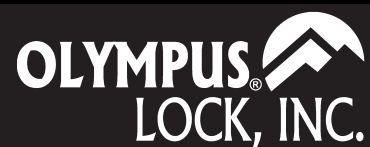


Key removable
at 12:00 or 3:00



DRAWER

Title Installation instructions for B7 series cam lock				
Series B7	Barrel Length See Chart	Bolt type Cam Lock	Mounting Surface	Revision Date 11/2012



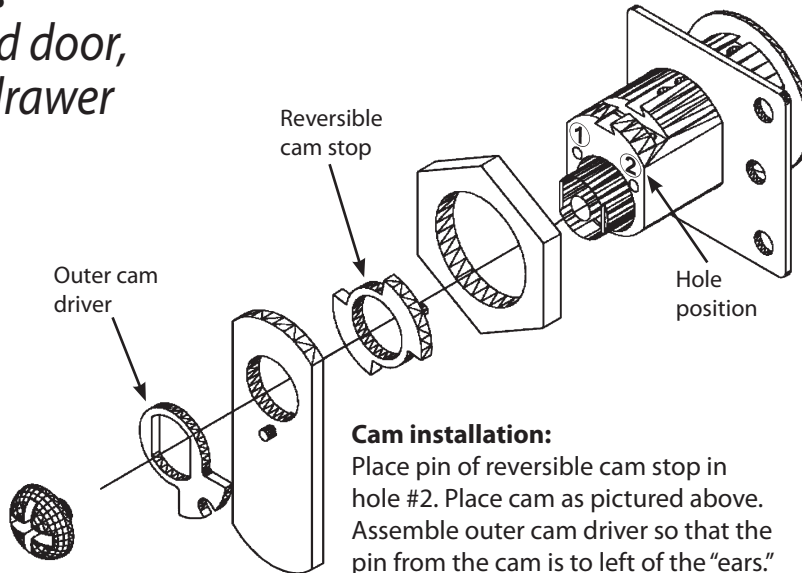
B7

All below configurations can be used with straight cam or offset cam (in either the inbent or outbent position).

Function:
right-hand door,
inverted drawer

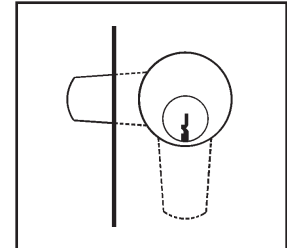


Rear view

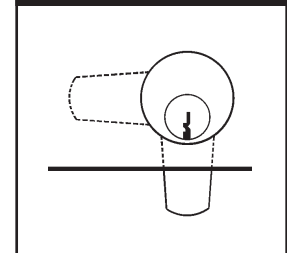


Cam installation:
Place pin of reversible cam stop in hole #2. Place cam as pictured above. Assemble outer cam driver so that the pin from the cam is to left of the "ears." Screw in cam screw until tight.

DOOR



Key removable
at 6:00 or 9:00

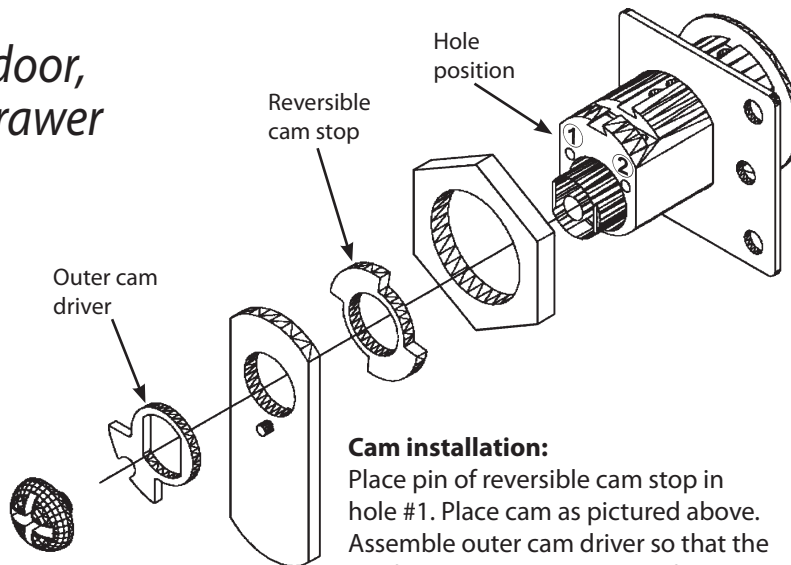


DRAWER

Function:
left-hand door,
inverted drawer

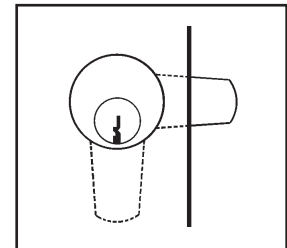


Rear view

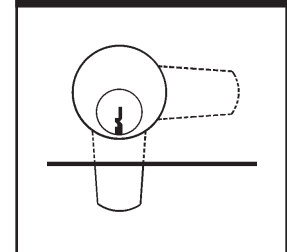


Cam installation:
Place pin of reversible cam stop in hole #1. Place cam as pictured above. Assemble outer cam driver so that the pin from the cam is to right of the "ears." Screw in cam screw until tight.

DOOR



Key removable
at 3:00 or 6:00



DRAWER

Title Installation instructions for B7 series cam lock				
Series B7	Barrel Length See Chart	Bolt type Cam Lock	Mounting Surface	Revision Date 11/2012

