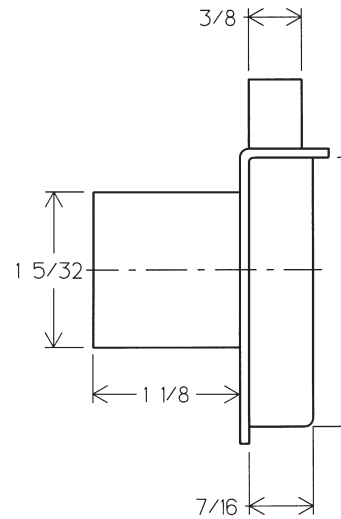
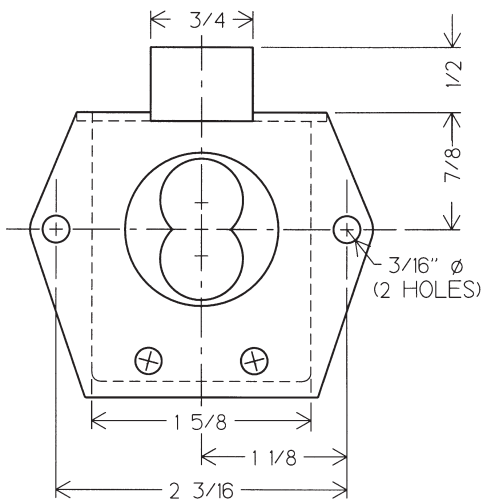
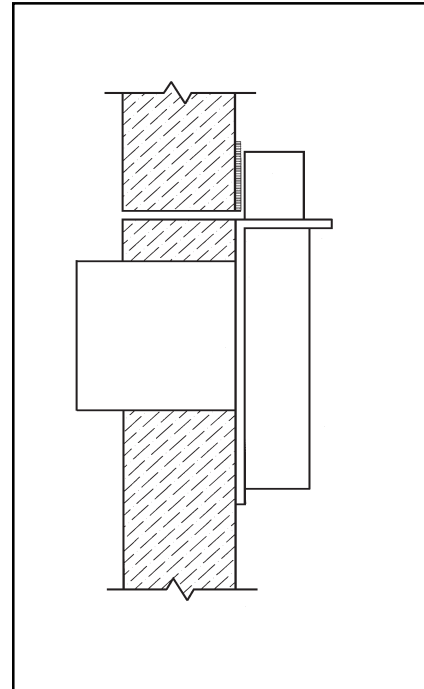
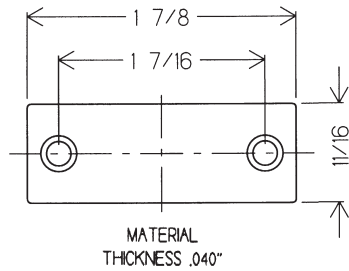


Installation Instructions

CR1125RD

Typical Installation



Includes

- 2 Mounting screws #8 x 5/8"
- 2 Strike screws #5 x 5/8"

Title

Installation instructions for CR1125RD series cabinet lock

Series

CR1125RD

Barrel Length

1-1/16"

Bolt type

Deadbolt

Mounting

Surface

Revision Date

06/2004

OLYMPUS
LOCK, INC.