

# DCP-SP1 / DCP-SP2

*Padlock Bumper Plate for use with DCP and DCP500*

## SPECIFICATIONS

**Function:** Protects face of cabinet from padlock and keys

**Works with:** Olympus DCP and DCP500 padlockable cam locks

**Handing:** Available for right-hand or left-hand cabinet doors (LH version coming June 2018)

**Size:** 3.937" wide x 2.913" high

**Thickness:** .0456"

**Finish:** Polished stainless steel (US32) or satin chrome (US26D)

### INCLUDES

Adhesive sheet to protect finish and two screws for mounting



**DCP-SP1** right-hand plate (shown)

**DCP-SP2** left-hand plates

### DCP-SP1 (RH) / DCP-SP2 (LH) BUMPER PLATES

Available in US32 (polished stainless steel) or US26D (satin chrome). For use on right-hand (DCP-SP1) or left-hand (DCP-SP2) cabinet doors. Bumper plates and padlockable cam locks sold separately.

### AVAILABLE FINISHES

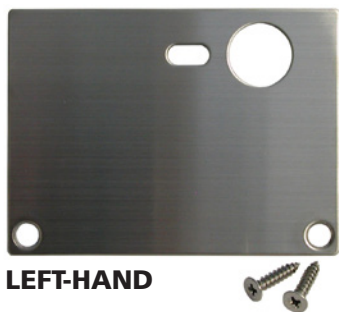


US26D



US26

### DCP-SP2 (LH)

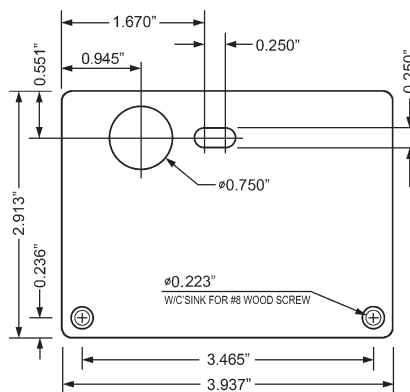
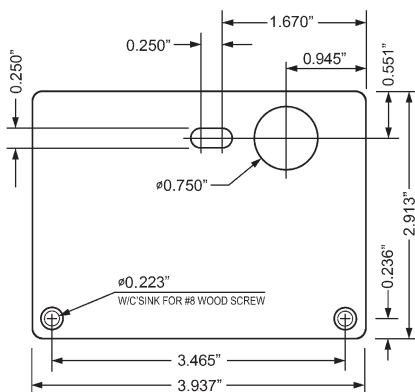


LEFT-HAND

### DCP-SP1 (RH)



RIGHT-HAND

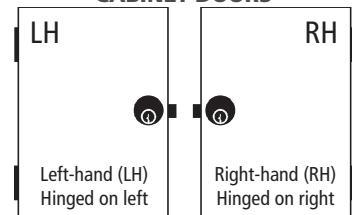


### FOR USE WITH:



**DCP or DCP500**  
Padlockable cam locks

### CABINET DOORS



**WARNING:** This product can expose you to chemicals including chromium, which is known to the State of California to cause cancer and birth defects or other reproductive harm. For more information go to [www.P65Warnings.ca.gov](http://www.P65Warnings.ca.gov).



**OLYMPUS**  
**LOCK**  
INC