

DCP SERIES

3/4" Padlockable Cam Lock

SPECIFICATIONS

Function: Cam lock for use with padlock as locking device. Functions on doors or drawers. Ideal for locker applications.

Through-hole: 0.4"

Padlocks: Not included

Max. material thickness: 1-1/8"

Barrel diameter: 3/4"

Finish: 26D, US26, US3, US19

Packaged: Packed 15 per box

INCLUDED ACCESSORIES

DCP-LC straight 1-1/4" cam

DCNP-SPW pronged wood washer

OPTIONAL ACCESSORIES

Anti-rotation plate: DCP-500-ARP

Padlock bumper plate: DCP-SP1 (RH) or DCP-SP2 (LH). Available in US32 polished stainless steel or US26D satin chrome.

Optional cams: See chart below

PADLOCKS

DCP works with most other manufacturer's padlocks with shackle diameter of 3/8" (10 mm) or less.

See Olympus Lock's BP Series (Mountain brand) brass padlocks and PN50 N Series National keyway padlocks.

DCP

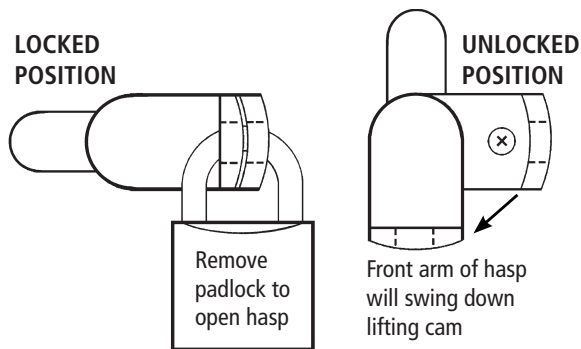
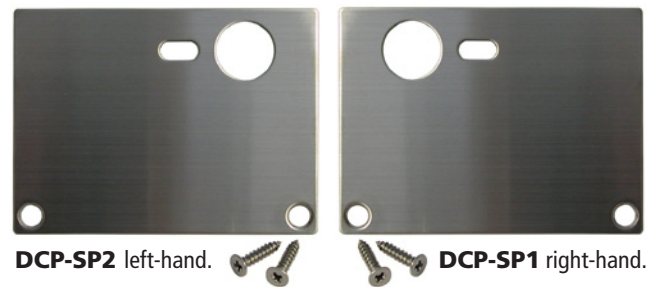
Use: Ideal for locker applications

Cams: Alternate cams available separately.



DCP-SP1 (RH) / DCP-SP2 (LH) BUMPER PLATES

Available in US32 (polished stainless steel) or US26D (satin chrome). For use on right-hand (DCP-SP1) or left-hand (DCP-SP2) cabinet doors. Bumper plates sold separately.



WARNING: This product can expose you to chemicals including chromium, which is known to the State of California to cause cancer and birth defects or other reproductive harm. For more information go to www.P65Warnings.ca.gov.



**OLYMPUS
LOCK**^{USA}

DCP SERIES

3/4" Padlockable Cam Lock

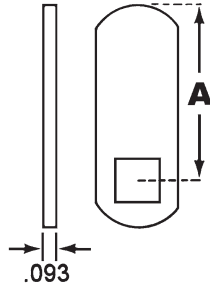
OPTIONAL ACCESSORIES - See our website for a complete list of optional components.

Optional Cams

Note: Offset cams are reversible and can be used in either the inbent or outbent position.

STRAIGHT CAMS

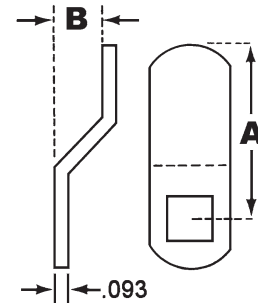
Part No.	Dim. A
DCP-SC	7/8"
DCP-LC (std)*	1-1/4"
DCP-LC-112	1-1/2"
DCP-LC-134	1-3/4"
DCP-LC-225	2-1/4"
DCP-LC-250	2-1/2"



DCP-LC (std) is included in standard package. All other cams are available separately.

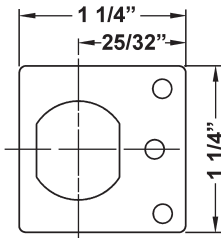
OFFSET CAMS

Part No.	Dim. A	Dim. B
DCP-1-14	1"	1/4"
DCP-LBC	1-1/4"	1/4"
DCP-114-18	1-1/4"	1/8"
DCP-118-18	1-1/8"	1/8"
DCP-114-38	1-1/4"	3/8"
DCP-LBC-138	1-3/8"	3/8"
DCP-LBC-178	1-7/8"	1/2"
DCP-112-14	1-1/2"	1/4"

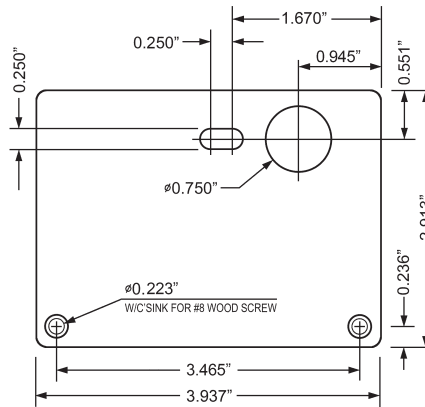


Other Accessories

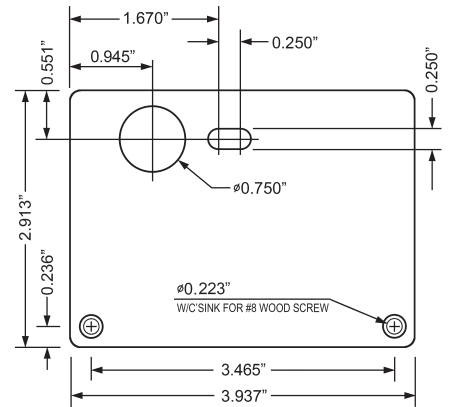
- DCNP-500-ARP provides a more secure mounting in particle board
- DCP-SP1 & DCP-SP2 protects face of cabinet from padlock and keys. Available in US32 (polished stainless) or US26D (satin chrome)



DCNP-500-ARP

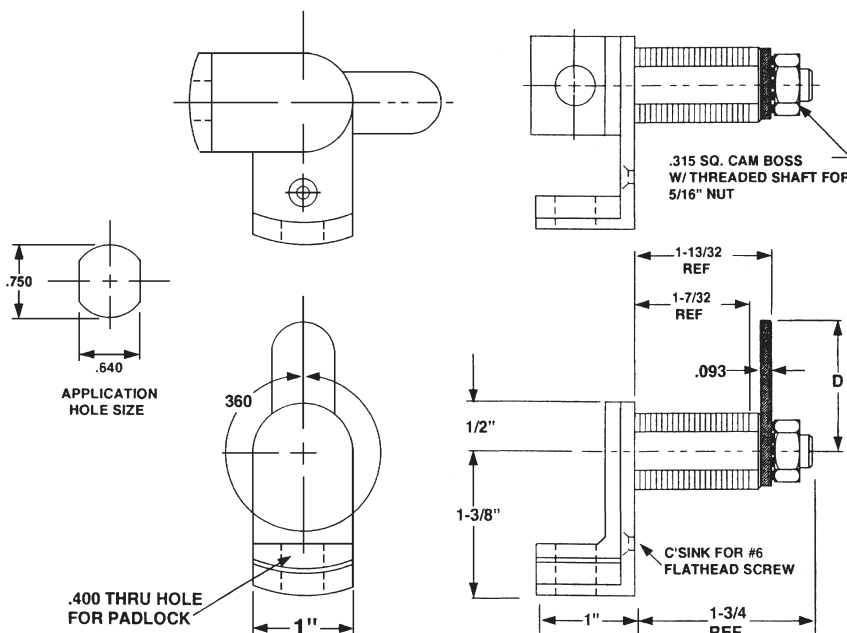


DCP-SP2 - for left-hand cabinet doors



DCP-SP1 - for right-hand cabinet doors

DIMENSIONS



PADLOCKS

PADLOCK SPECIFICATIONS

The DCP works with most industry standard padlocks with a shackle diameter of 3/8" (10 mm) or less.

OLYMPUS PADLOCKS

Mountain Brand: Blister packed brass padlocks
PN50 Series: N Series National keyway brass padlocks
IC Core: Brass padlocks for Corbin/Ruswin interchangeable cores (sold less core)



The DCP accepts padlocks with a shackle diameter of 3/8" (10 mm) or less

For more information on our complete line of padlocks visit www.olympus-lock.com