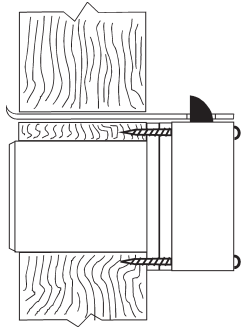
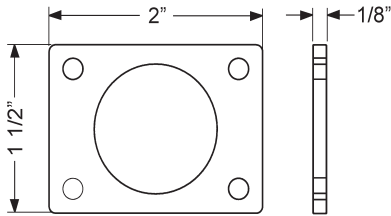


Installation Instructions

L72V



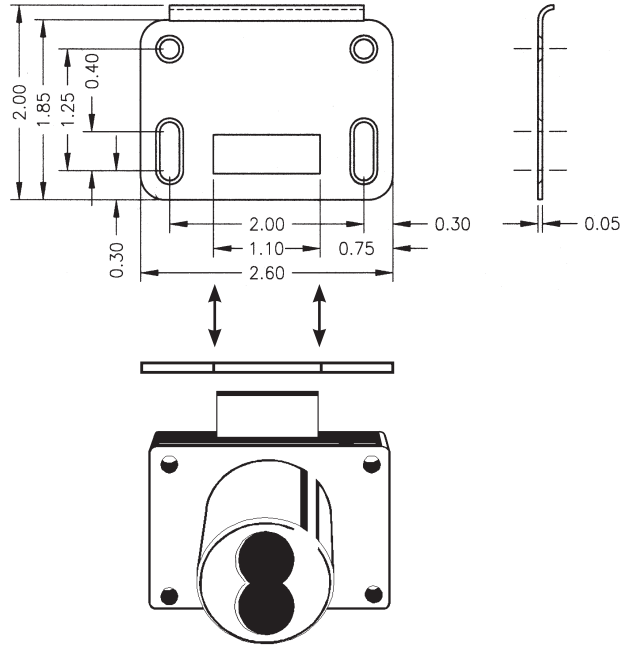
Note: Strike must be mounted so that spring latch mechanism projects through strike slot when the drawer is closed.



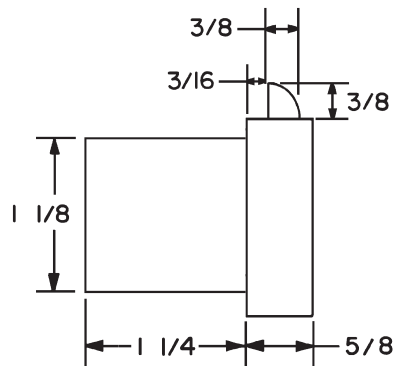
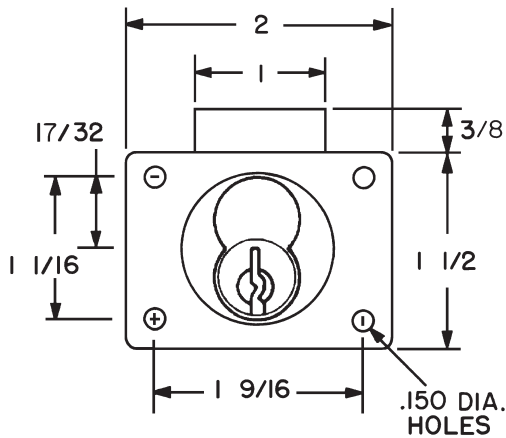
10-350 - 1/8" spacer

Note: Use of spacers and strike depends on application and material thickness.

L78ST-1 lip strike
Provided with each lock



Note: For correct lock function, line up latch with slot in provided lip strike.



Title

Installation instructions for L72V series cabinet drawer lock

Series
L72V

Barrel Length
1-1/4"

Bolt type
Latch

Mounting
Surface

Revision Date
05/2013

OLYMPUS
LOCK, INC.