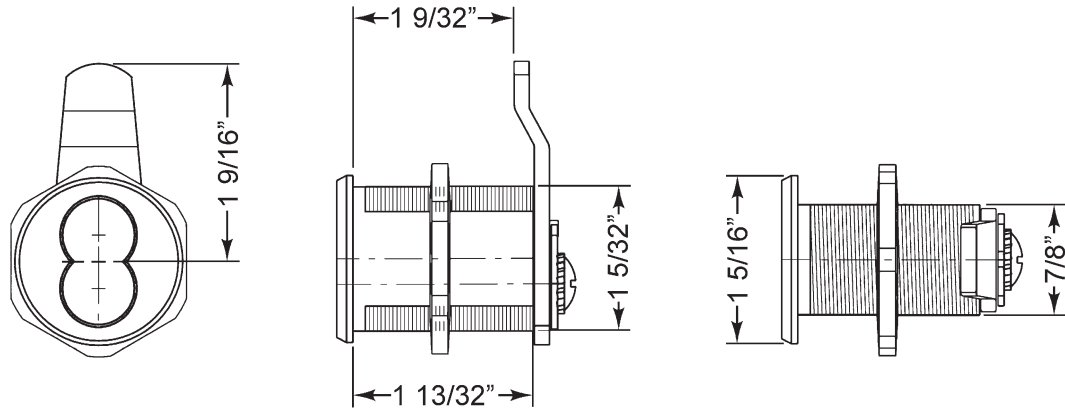


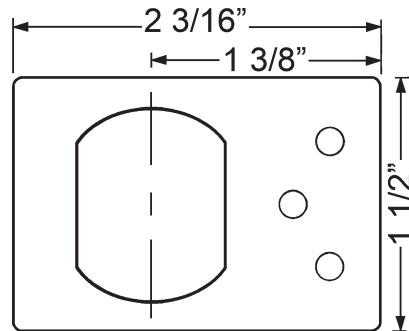
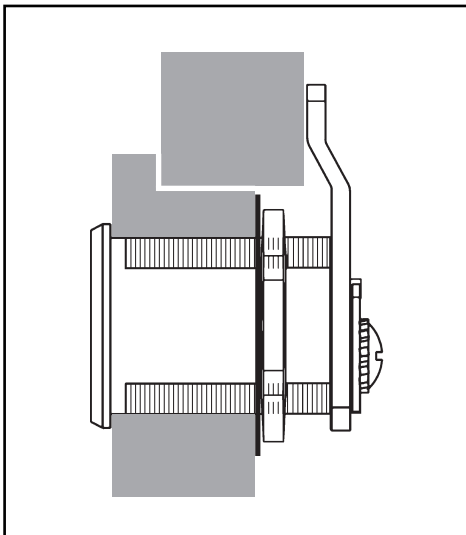
ME93LM/DM



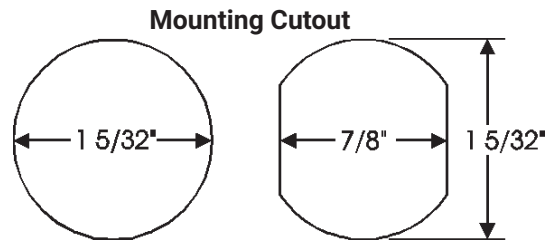
IMPORTANT:

It is highly recommended that you install the **cam/prong driver** and **lock cylinder** into the lock body and cycle to the locked position **before** assembling cam, cam shifter and stop pin onto the back of the lock.

Typical Installation



Stabilizer Plate







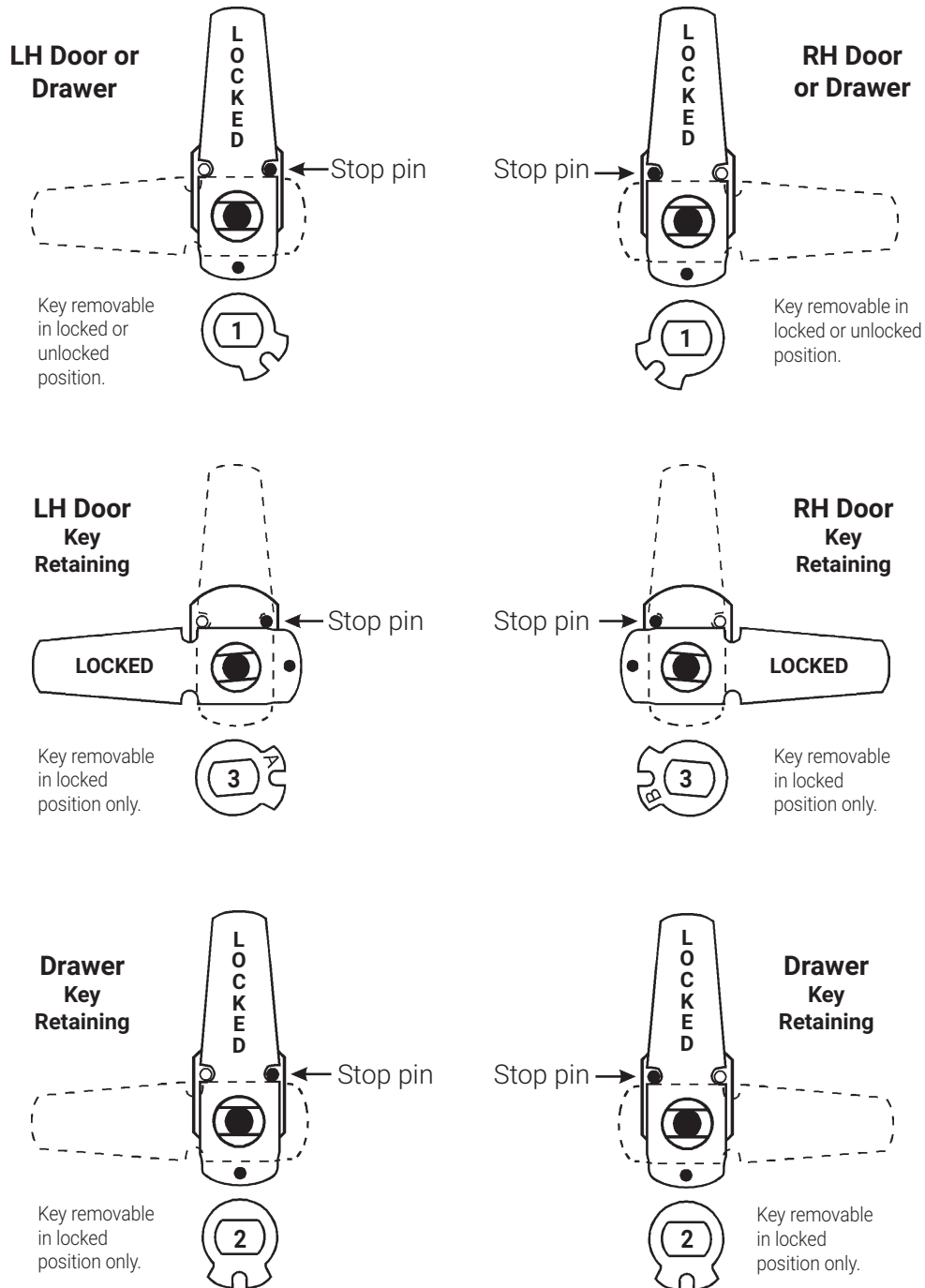
Lock diameter is 1-1/8". Drilled hole should be slightly larger.

Title Installation instructions for ME93LM/DM series cam lock					
Series ME93	Barrel Length 1-7/16"	Bolt type Cam lock	Mounting Surface	Revision Date 09/2015	

ME93LM/DM




Assembled with vertical long cam 720-3-2 or
extra long 3" cam 720-3-4

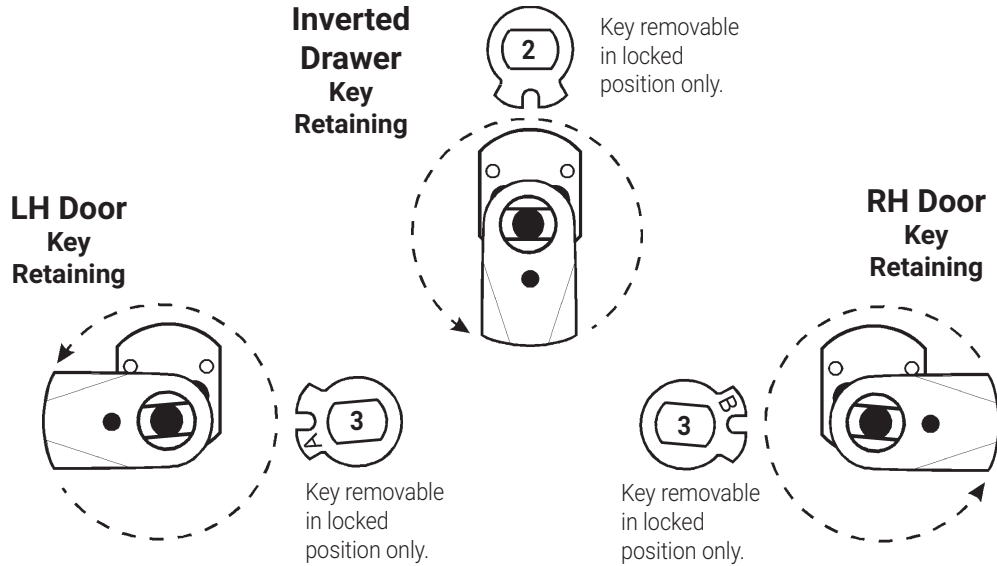
 <p>1 720-CDLM lost motion cam shifter (non-key-retaining)</p>	 <p>2 720-KR key retaining drawer cam shifter</p>	 <p>3 720-CDDM (A Side) key retaining door cam shifter</p>	 <p>3 720-CDDM (B Side) key retaining door cam shifter</p>
--	---	--	--





ME93LM/DM

Assembled with short cam 720-3-1

 <p>2 720-KR key retaining drawer cam shifter</p>
 <p>3 720-CDDM (A Side) key retaining door cam shifter</p>
 <p>3 720-CDDM (B Side) key retaining door cam shifter</p>



Assembled with inverted long cam 720-3-3 or 720-3-5

 <p>1 720-CDLM lost motion cam shifter (non-key-retaining)</p>
 <p>2 720-KR key retaining drawer cam shifter</p>

