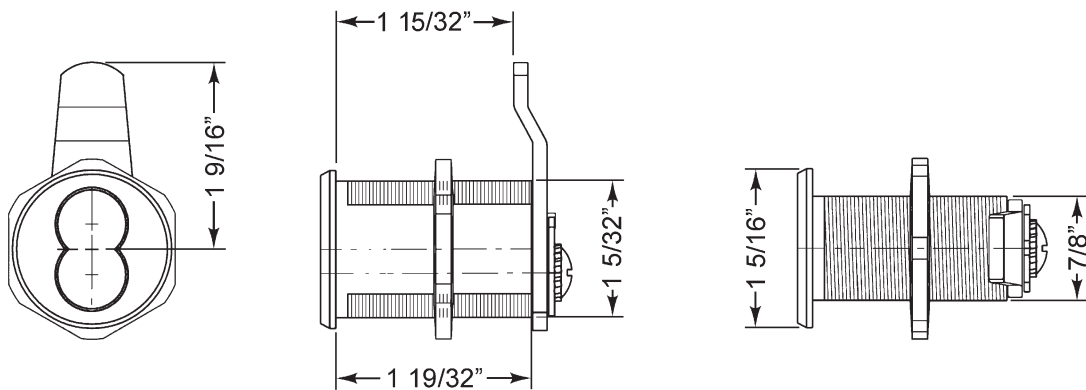


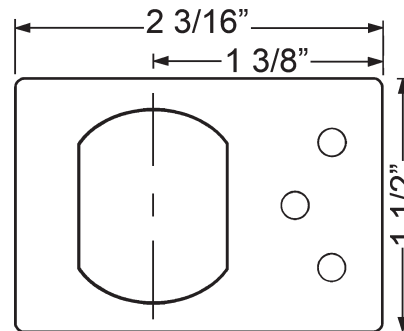
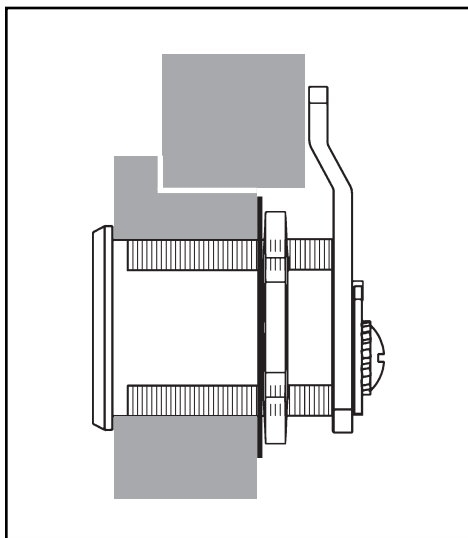
YA93LM/DM



IMPORTANT:

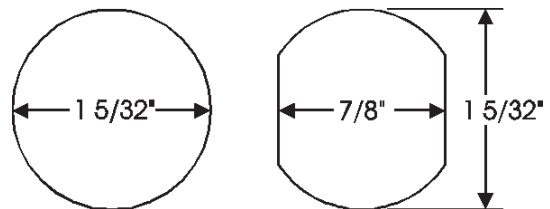
It is highly recommended that you install the **cam/prong driver** and **lock cylinder** into the lock body and cycle to the locked position **before** assembling cam, cam shifter and stop pin onto the back of the lock.

Typical Installation



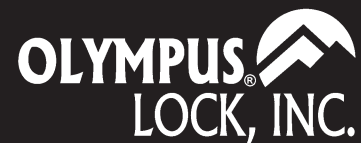
Stabilizer Plate

Mounting cutout







Lock diameter is 1-1/8". Drilled hole should be slightly larger.

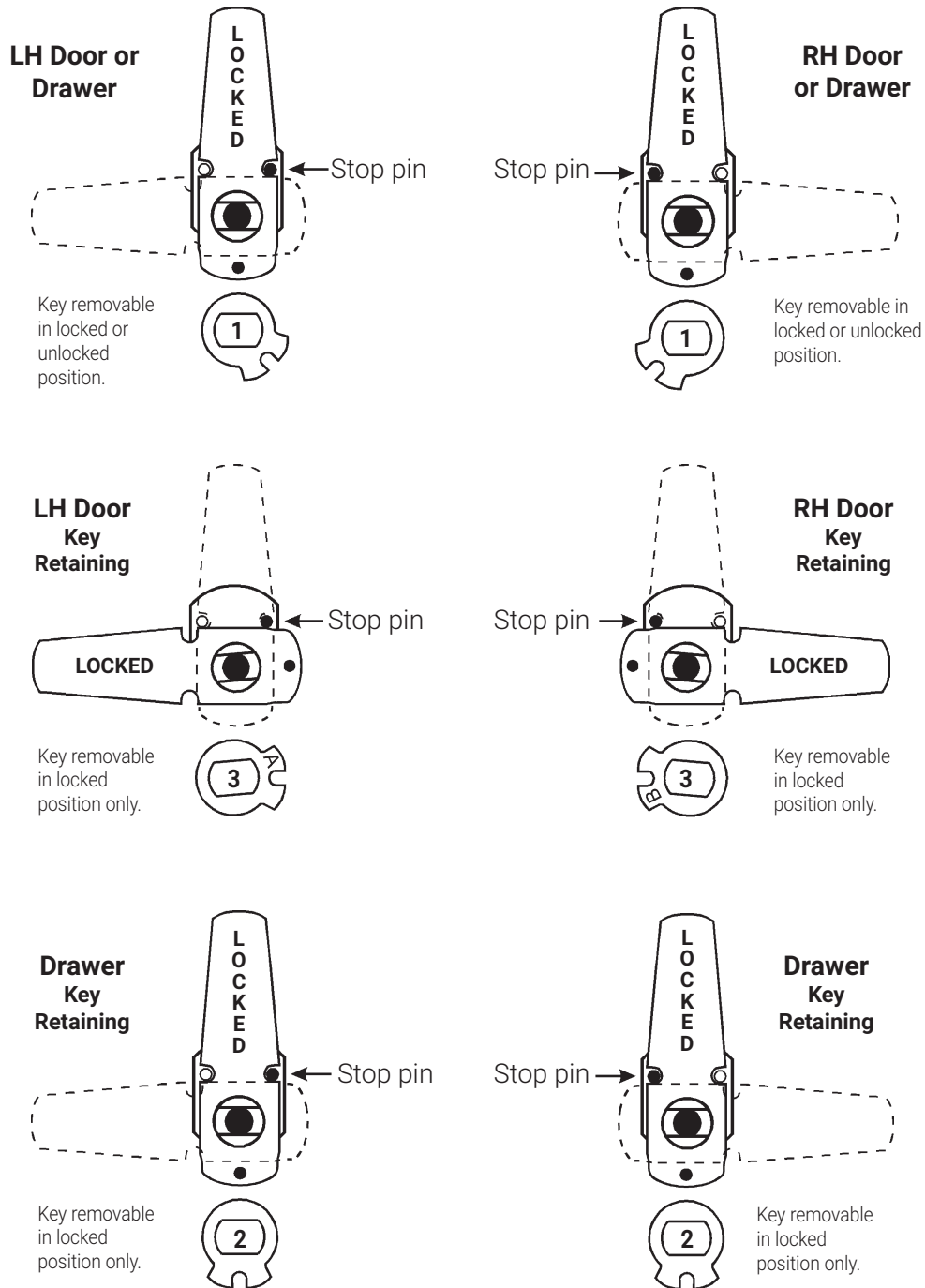
| | | | | |
|---|----------------------------------|------------------------------|----------------------------|---------------------------------|
| Title Installation instructions for YA93LM/DM series cam lock | | | | |
| Series YA93 | Barrel Length 1-19/32" | Bolt type Cam lock | Mounting Surface | Revision Date 09/2015 |



YA93LM/DM




Assembled with vertical long cam 720-3-2 or
extra long 3" cam 720-3-4

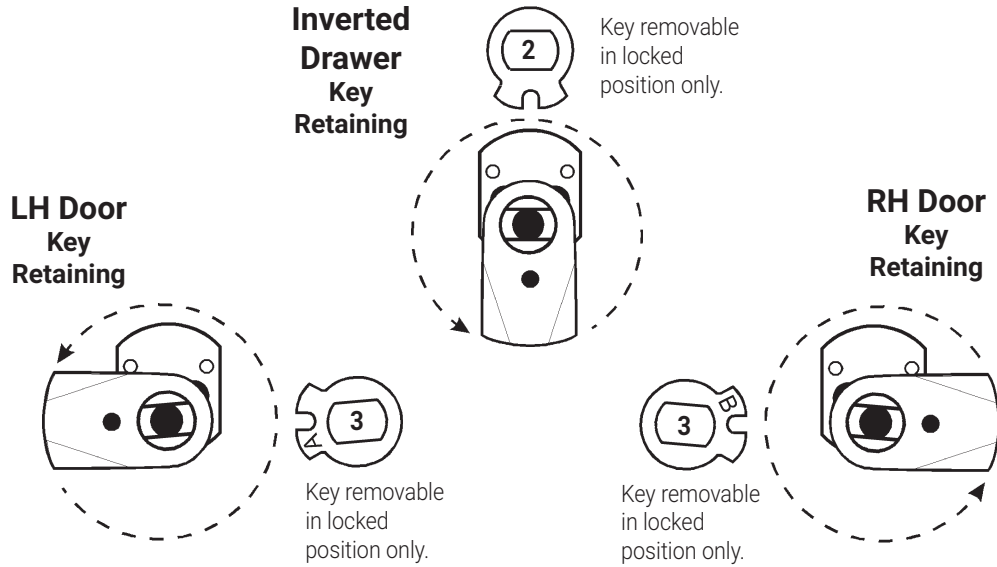
| | | | |
|--|---|--|--|
|  1 720-CDLM lost motion cam shifter (non-key-retaining) |  2 720-KR key retaining drawer cam shifter |  3 720-CDDM (A Side) key retaining door cam shifter |  3 720-CDDM (B Side) key retaining door cam shifter |
|--|---|--|--|





YA93LM/DM

Assembled with short cam 720-3-1

| |
|--|
|  <p>720-KR key retaining drawer cam shifter</p> |
|  <p>720-CDDM (A Side) key retaining door cam shifter</p> |
|  <p>720-CDDM (B Side) key retaining door cam shifter</p> |



Assembled with inverted long cam 720-3-3 or 720-3-5

| |
|--|
|  <p>720-CDLM lost motion cam shifter (non-key-retaining)</p> |
|  <p>720-KR key retaining drawer cam shifter</p> |

