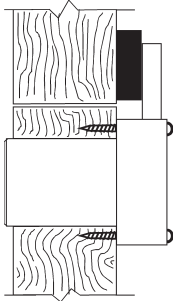




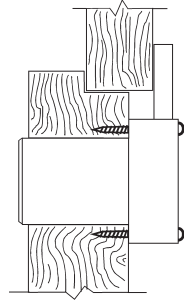
Series	Barrel Length	Keying	Bolt Type	Mounting	Revision Date
100DR	7/8" and 1-3/8"	N Series - National Keyway	Deadbolt	Surface	5/2019

100DR Door Lock - Installation Instructions

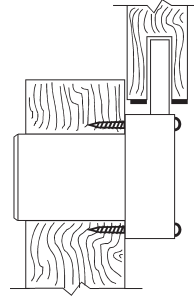
Typical Installation



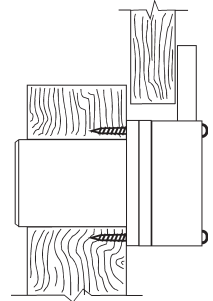
Flush



Lipped Overlay



Overlay*

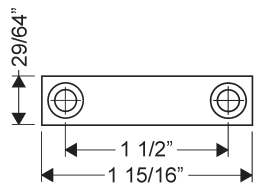
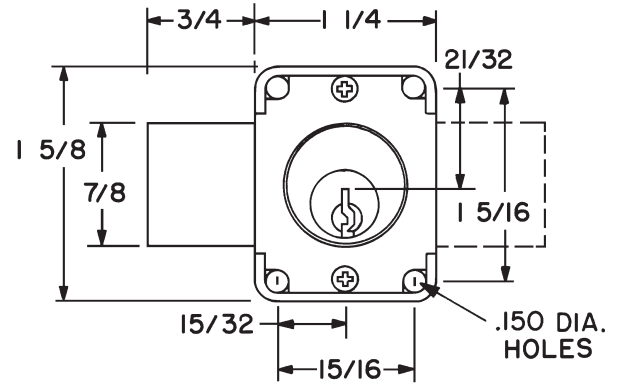
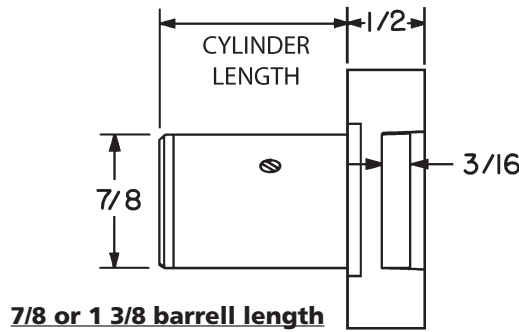


Full Overlay

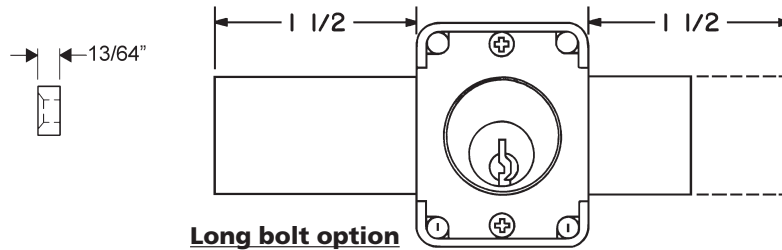
*Overlay installation is not recommended for particleboard.

Included Accessories:

- 2 keys
- 56-1 bar strike
- 4 lock mounting screws

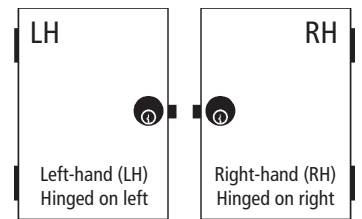


56-1 bar strike



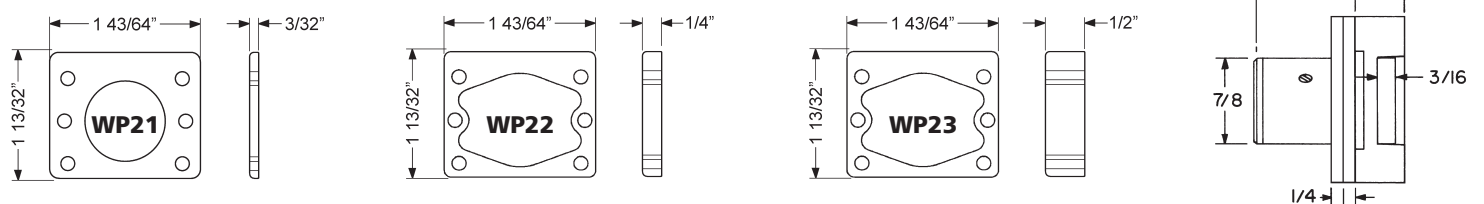
Long bolt option

Installation for key-retaining option

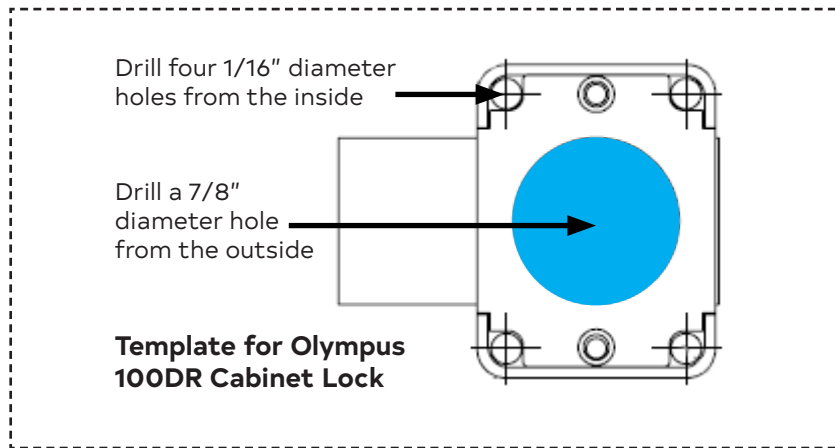


Spacer options

Note: use of spacers and strikes depends on application and material thickness.



Drill Guide Cut out this handy drill guide for easy installation.



**OLYMPUS
LOCK** INC

18424 Highway 99 | Lynnwood, WA 98037 | 800.525.0954 | www.olympuslock.com
Copyright © 2019 Olympus Lock, Inc. all rights reserved.