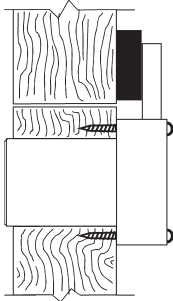




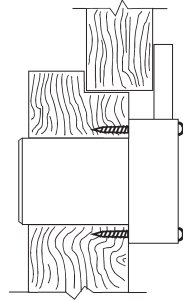
Series	Barrel Length	Keying	Bolt Type	Mounting	Revision Date
200DW	7/8", 1-3/8" and 1-5/8"	N Series - National Keyway	Deadbolt	Surface	5/2019

200DW Drawer Lock - Installation Instructions

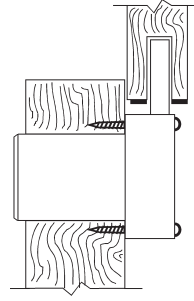
Typical Installation



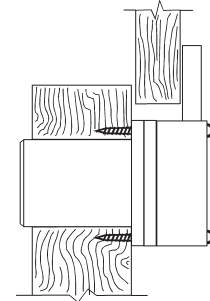
Flush



Lipped Overlay



Overlay*

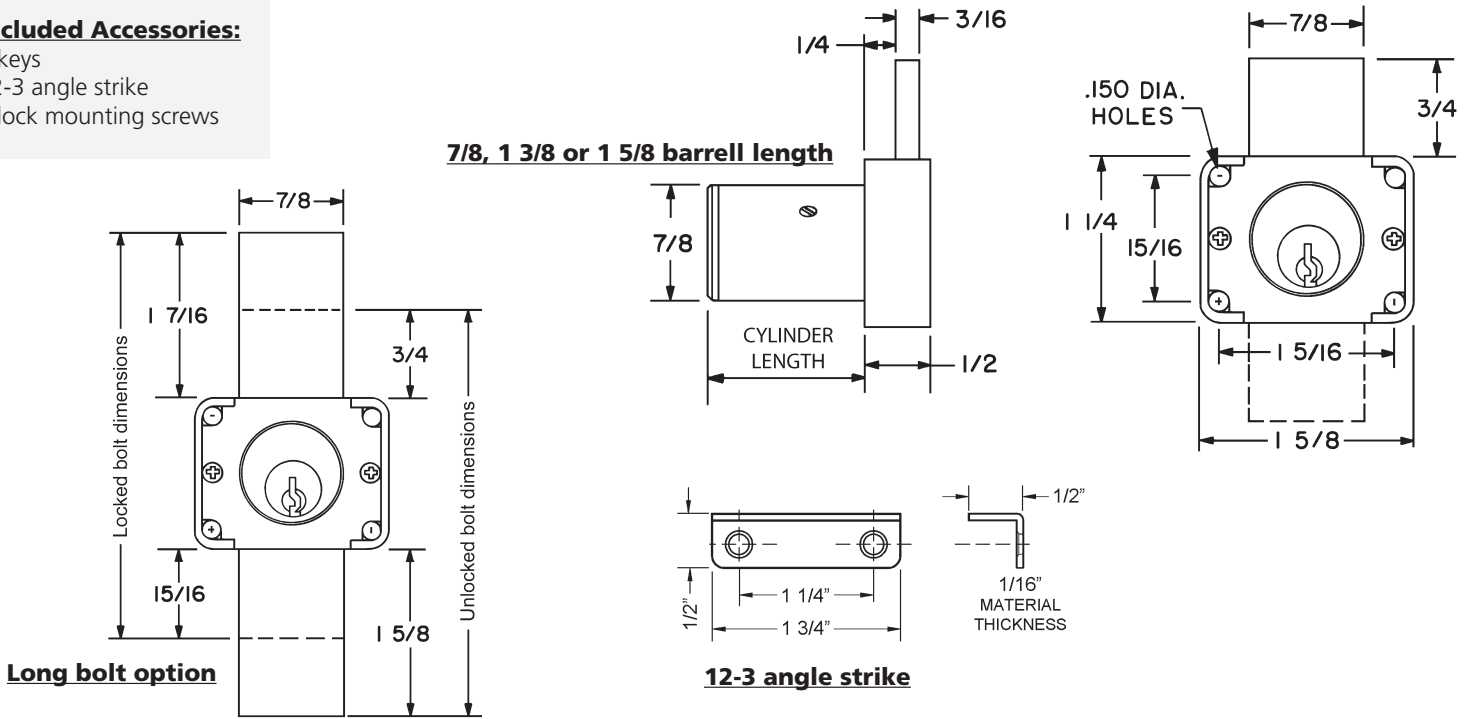


Full Overlay

*Overlay installation is not recommended for particleboard.

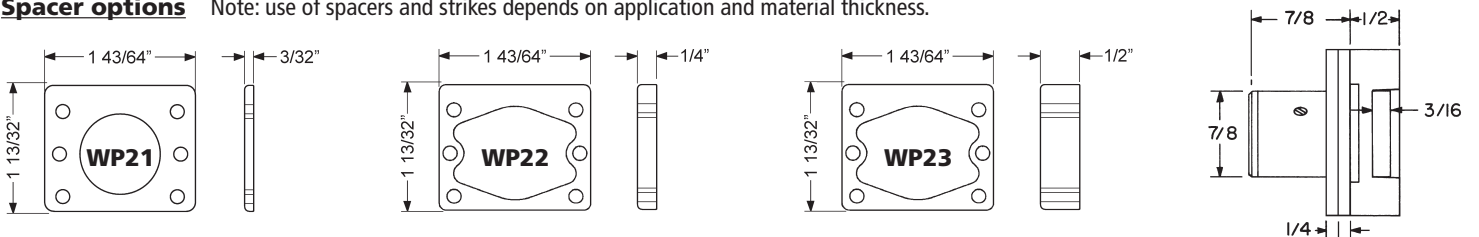
Included Accessories:

- 2 keys
- 12-3 angle strike
- 4 lock mounting screws

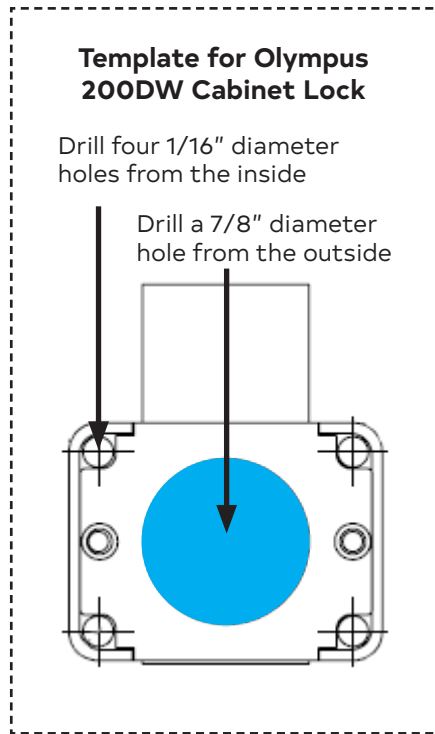


Spacer options

Note: use of spacers and strikes depends on application and material thickness.



Drill Guide Cut out this handy drill guide for easy installation.



**OLYMPUS
LOCK** INC

18424 Highway 99 | Lynnwood, WA 98037 | 800.525.0954 | www.olympuslock.com
Copyright © 2019 Olympus Lock, Inc. all rights reserved.