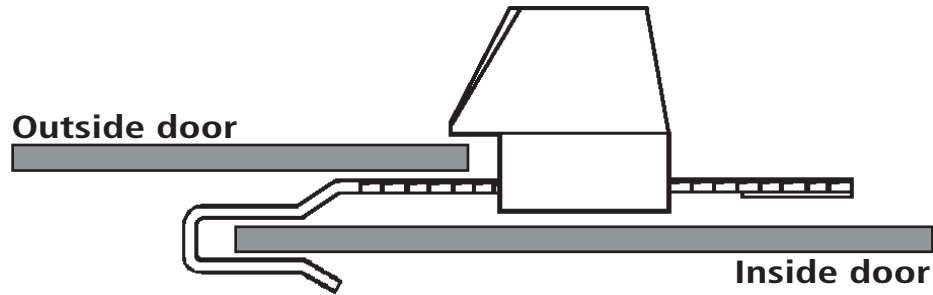




Series	Barrel Length	Keying	Bolt Type	Mounting	Revision Date
329R	N/A	N Series - National Keyway	Ratchet	Surface	6/2019

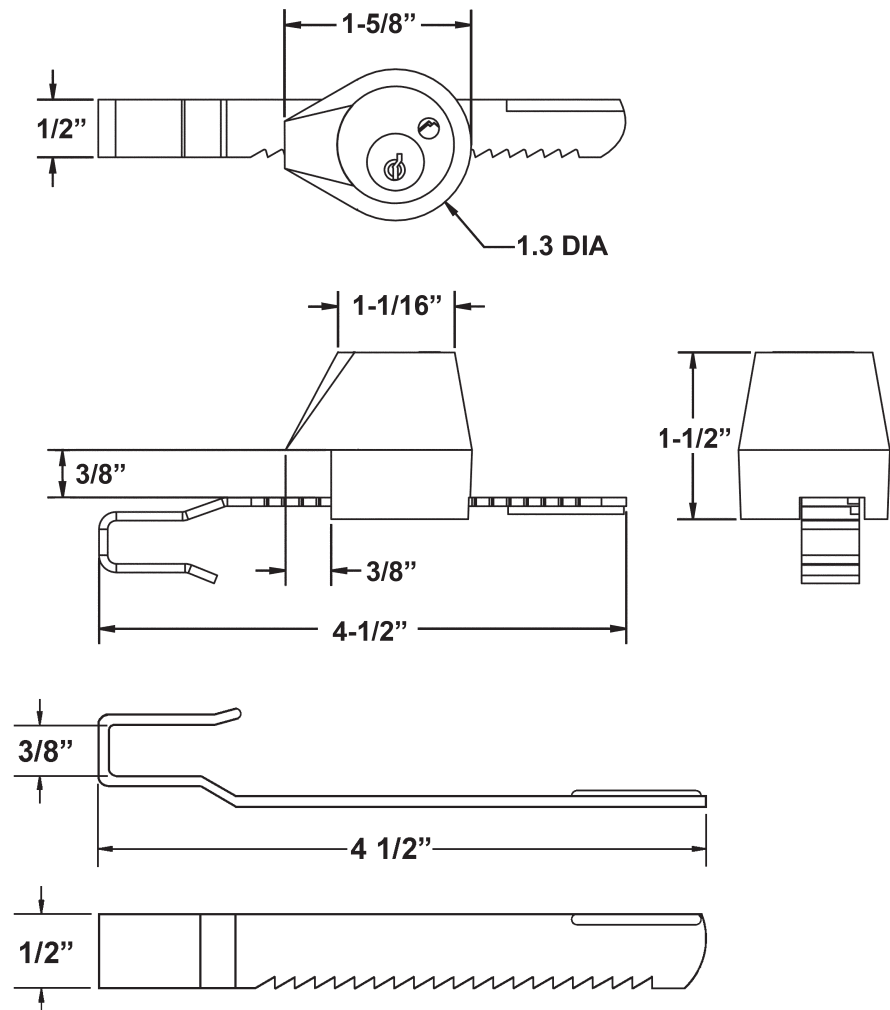
329R Ratchet Lock - Installation Instructions

Typical Installation



Included Accessories:

2 keys
Strap for 1/4" material thickness



OLYMPUS
LOCK
INC

18424 Highway 99 | Lynnwood, WA 98037 | 800.525.0954 | www.olympuslock.com
Copyright © 2019 Olympus Lock, Inc. all rights reserved.