

300SD

N Series: Sliding Door Plunger Lock

SPECIFICATIONS

Keying: Can be keyed together with other N Series locks

Rekeyable: Easily rekeyable via speed-release cylinder release mechanism

US Patent Nos: 4,920,774; 5,121,619

Standard function: Key removable in locked or unlocked position.

Body: Zinc die cast

Cylinder: Solid brass, pin tumbler

Cylinder length: 1"

Barrel diameter: 1"

Finish: 26D, US3 or 10B

Packaged: Packed 10 per box

KEYING INFORMATION

Keyway: N Series (equivalent to National D4291 4-pin or D4292 5-pin system)

Keys: Includes 2 keys per lock

Stock keying: KD/KA - 4 pin standard

Stock KA#: 101, 103, 107, 915

Masterkeyed: 5 pin standard

Grand masterkeyed: Available

Keyblank 4-pin: KBN-4-NP

(equivalent to NA14, 1069L)

Keyblank 5-pin: KBN-5-NP

(equivalent to NA12, 1069LA)

INCLUDED ACCESSORIES

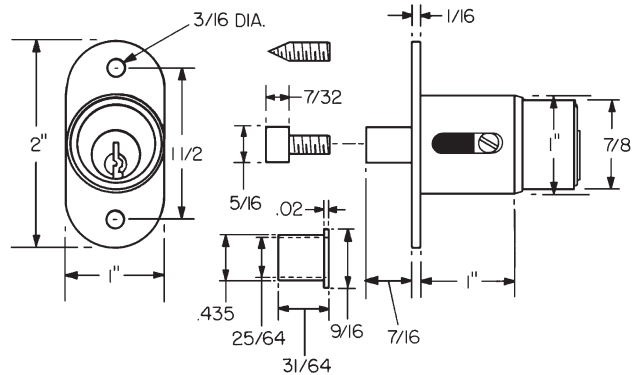
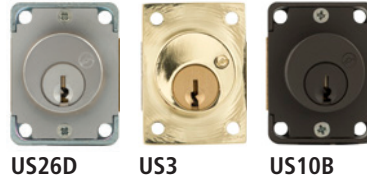
34-9 matching thimble strike

10-24 machine thread bolt extender for varying gaps between bypassing doors

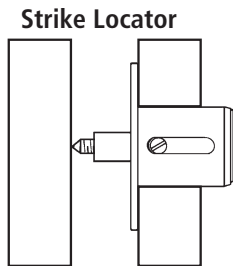
10-24 machine thread strike locator



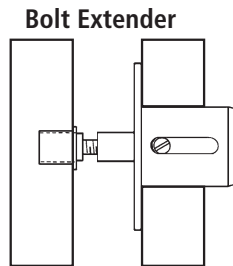
AVAILABLE FINISHES



WARNING: This product can expose you to chemicals including chromium, which is known to the State of California to cause cancer and birth defects or other reproductive harm. For more information go to www.P65Warnings.ca.gov.



Use strike locator to correctly mark location to install strike.



Use optional bolt extender for excessive gaps in bypassing doors.

