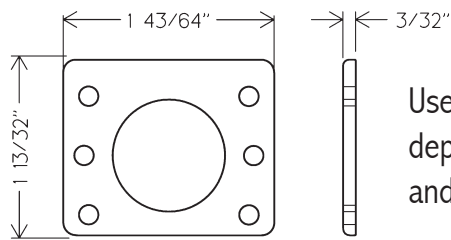
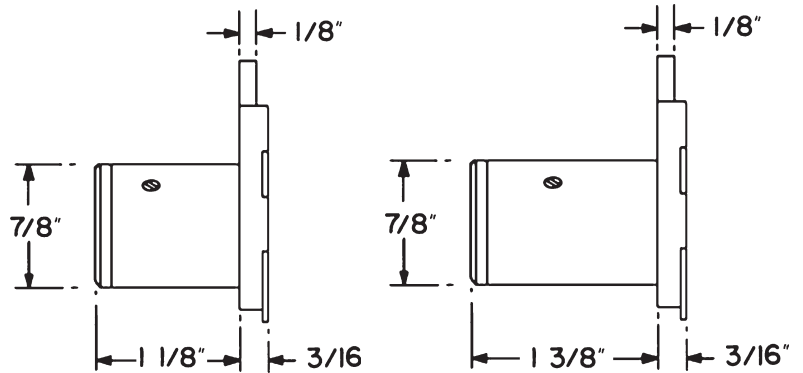
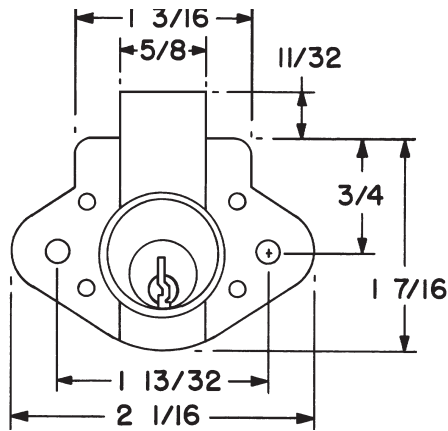
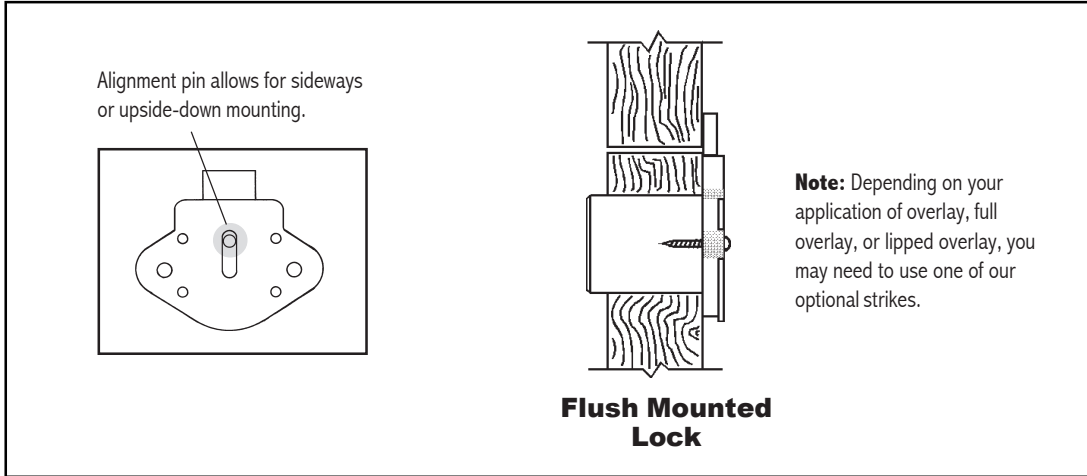


Installation Instructions

N078 - Drawer Lock

Typical Installation



Optional WP21 - 3/32" spacer

Use of spacers and strikes depends on application and material thickness.

Title Installation instructions for N078 series cabinet drawer lock				
Series N078	Barrel Length 1-1/8" or 1-3/8"	Bolt type Deadbolt	Mounting Surface	Revision Date 06/2005

