

# SA54

## IC Core: Cam Lock For Sargent IC cores



For SARGENT interchangeable core cylinders

### SPECIFICATIONS

- Cylinder diameter: 1-1/8"
- Across flats: 7/8"
- Max. material thickness: 1-1/8"
- Min. material thickness: 0.08"
- Functions: Includes parts for key-retaining or non-key-retaining function
- Body: Zinc die cast
- Finish: 26D
- Packaged: Packed 10 per box

### CYLINDER INFORMATION

- Cylinder: Not included
- Accepts: Sargent 6300 Series interchangeable core cylinders
- Note: Use of Sargent "Degree" interchangeable cores requires purchase of alternate SA54-PD-DG prong driver.

### INCLUDED ACCESSORIES

- Plastic actuator to operate lock without core
- 720-PL3 anti-rotation plate
- 720-3-1 short inverted cam
- 720-3-2 long vertical cam
- 720-CDLM lost motion cam shifter
- 720-CDDM key retaining door cam shifter
- 720-KR key retaining drawer cam shifter
- Prong driver for Sargent 6300 series interchangeable cores

### OPTIONAL ACCESSORIES

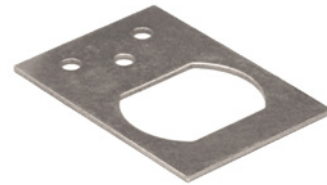
- Optional cams: 7-3-2, 7-3-3, 7-3-4, 7-3-5
- Trim collars: TR200 Series
- Switch accessory pack: SW-1
- CL-MP-118: Double-D metal punch

## SA54

Function: Cam Lock

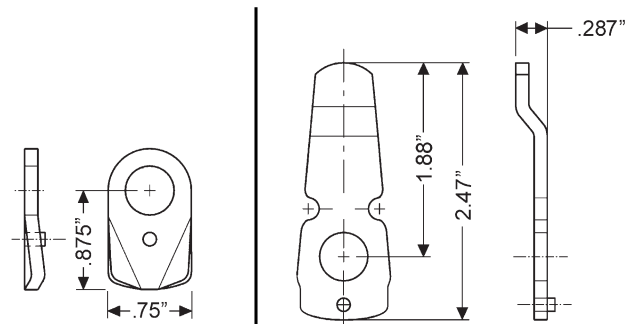


US26D Finish



720-PL3 anti-rotation plate keeps lock from rotating in hole, traps fixing nut

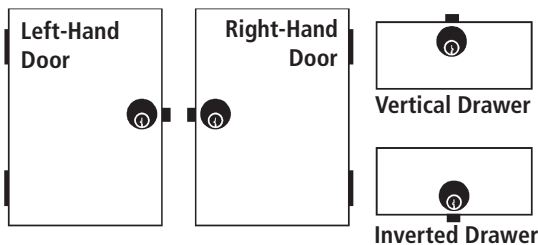
### INCLUDED CAMS



720-3-1  
for inverted function

720-3-2  
inbent cam for vertical function  
(bottom-pin style)

### HANDING CHART



**WARNING:** This product can expose you to chemicals including chromium, which is known to the State of California to cause cancer and birth defects or other reproductive harm. For more information go to [www.P65Warnings.ca.gov](http://www.P65Warnings.ca.gov).

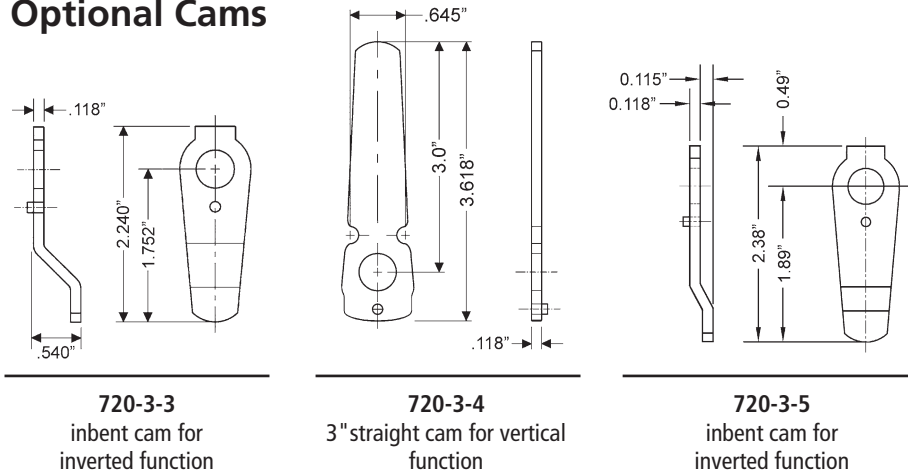


# SA54

## IC Core: Cam Lock For Sargent IC cores

**OPTIONAL ACCESSORIES** - See our website for a complete list of optional components.

### Optional Cams



### CL-MP-118 Double-D Metal Punch

**Hole size:** Punches a DOUBLE "D" hole size approximately 7/8" wide by 1-1/8" high.



### SW-1 Switch Accessory Pack

**Use:** Includes parts to convert 720, 820, 920, CR25 ME93, SA54 or YA93 series cam locks into switch locks

**Switches:** Not included.

**Accepts:** Pin plunger style, snap acting, miniature switches:

- Omron - V Series
- Honeywell (MicroSwitch) - V Series
- Cherry - E Series
- Panasonic (Aromat) - ABV Type
- C&K (ITT) - TM & TF Series

**Configuration:** Can be configured for 1 or 2 switches



### TR200 Series Trim Collars

**Finish:** TR201, TR202 and TR203 available in US32D or US3 finish. TR204\* available in US32D finish only.



### DIMENSIONS

