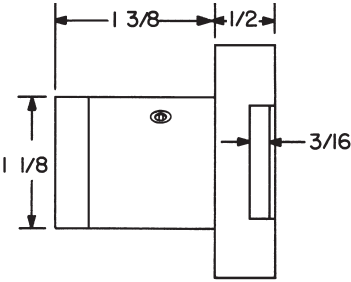
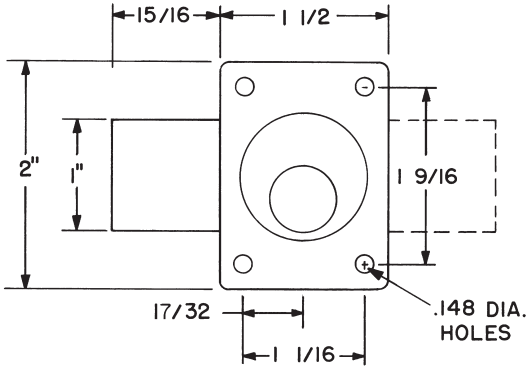
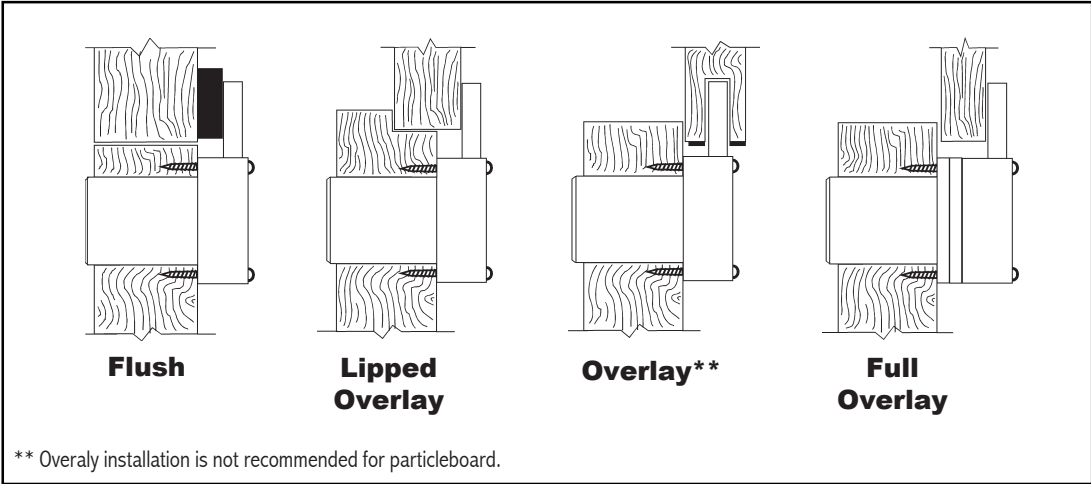


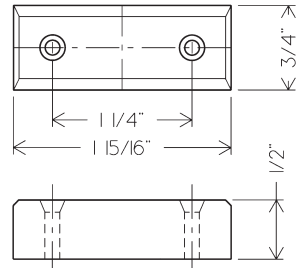
Installation Instructions

754

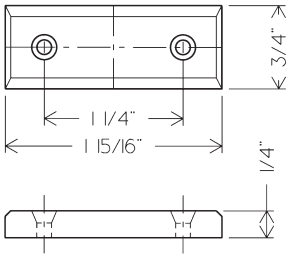
Typical Installation



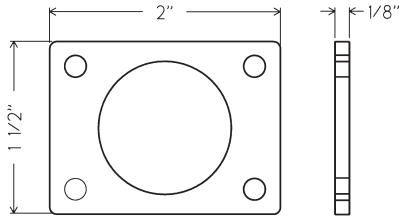
Use of spacers and strikes depends on application and material thickness.



10-055 - 1/2" bar strike



10-054 - 1/4" bar strike



10-350 - 1/8" spacer

Title Installation instructions for 754 series cabinet door lock				
Series 754	Barrel Length 1-3/8"	Bolt type Deadbolt	Mounting Surface	Revision Date 06/2005

