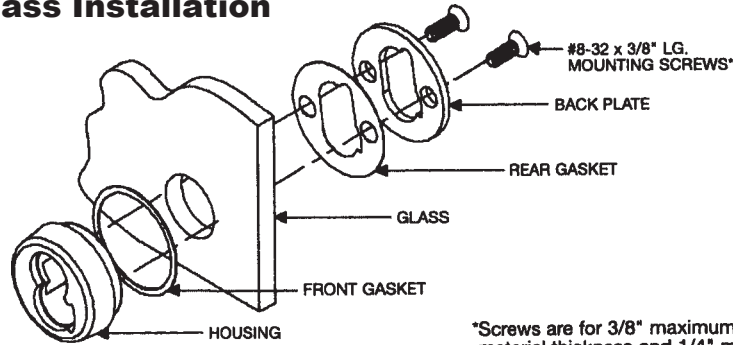


Installation Instructions

723

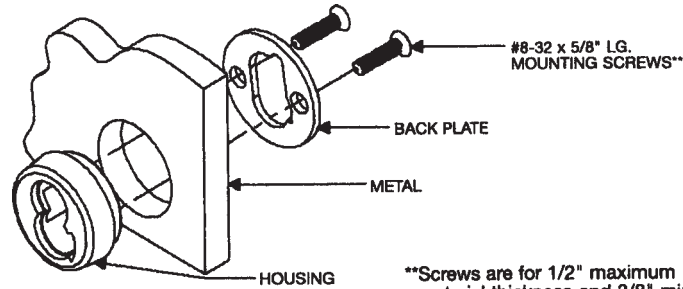
Glass Installation



*Screws are for 3/8" maximum material thickness and 1/4" minimum material thickness.

Note: Material thickness can be changed by using an "O" ring or changing the screw length.

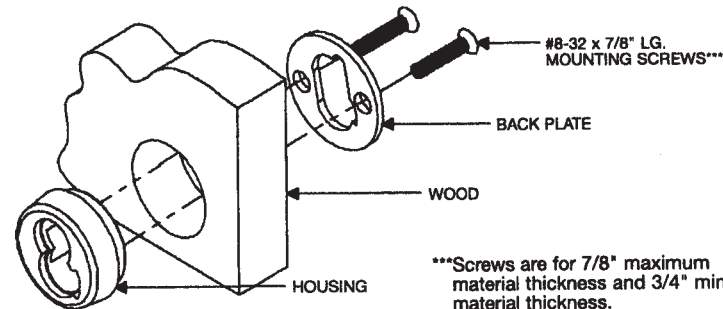
Metal Installation



**Screws are for 1/2" maximum material thickness and 3/8" minimum material thickness.

Note: Material thickness can be changed by using an "O" ring or changing the screw length.

Wood Installation



***Screws are for 7/8" maximum material thickness and 3/4" minimum material thickness.

Note: Material thickness can be changed by using an "O" ring or changing the screw length.

Title

Installation instructions for 723 series sliding door lock

Series

723

Barrel Length

Adj.

Bolt type

Cyl. Housing

Mounting

Surface

Revision Date

01/2006

OLYMPUS
LOCK, INC.