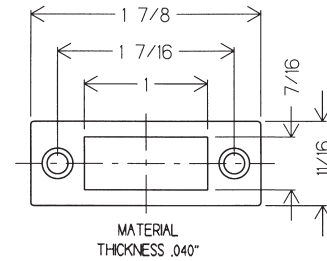
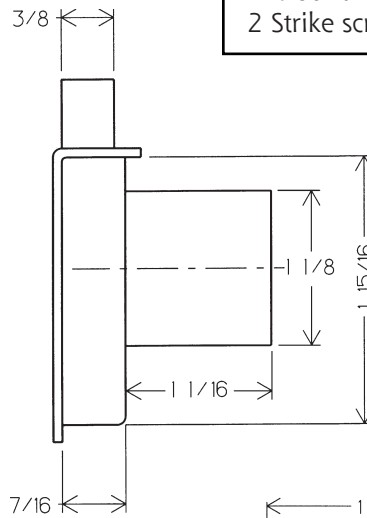
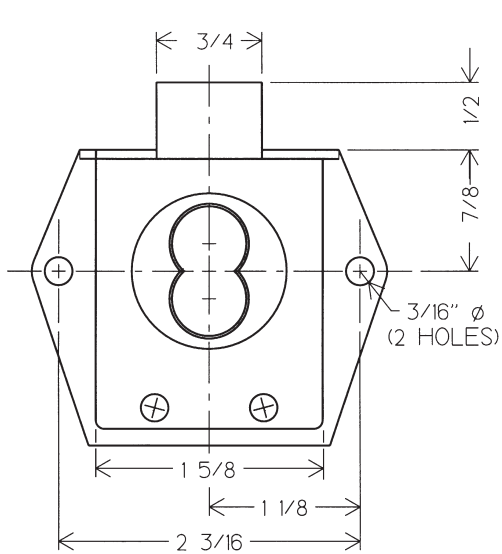


# Installation Instructions

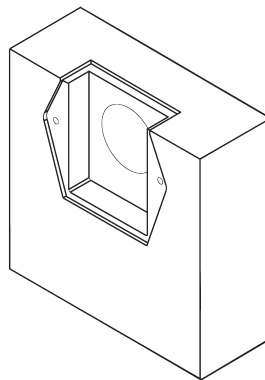
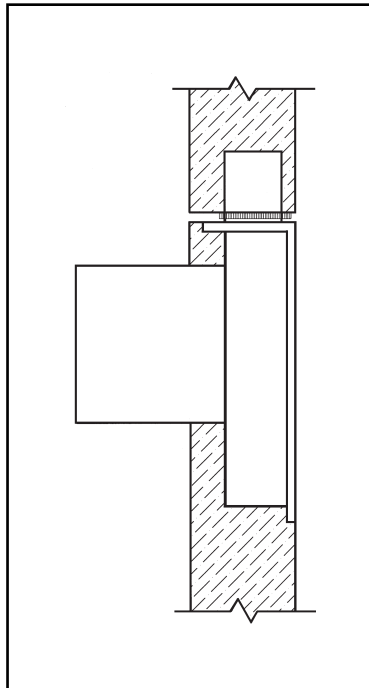
## 725MD

### Includes

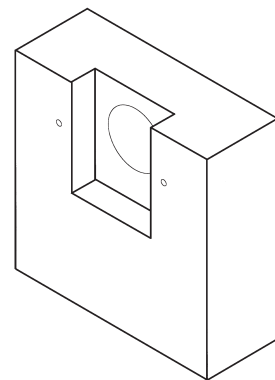
- 2 Mounting screws #8 x 5/8"
- 2 Strike screws #5 x 5/8"



### Typical Installation



Cutout for mortise application - including back plate (725 only)



Cutout for mortise Application - excluding back plate (725 only)

Title

Installation instructions for 725MD series cabinet lock

Series

725MD

Barrel Length

1-1/16"

Bolt type

Deadbolt

Mounting

Mortise

Revision Date

07/2009

**OLYMPUS**  
LOCK, INC.