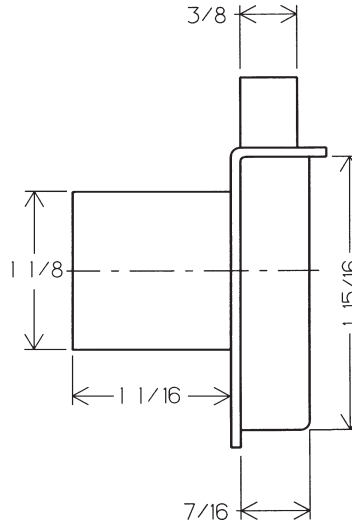
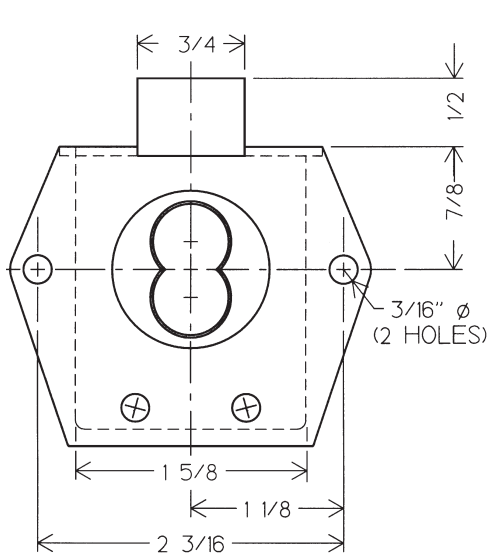


Installation Instructions

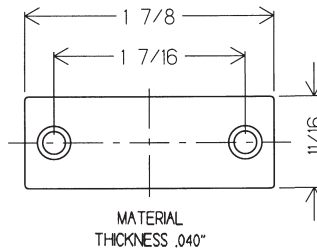
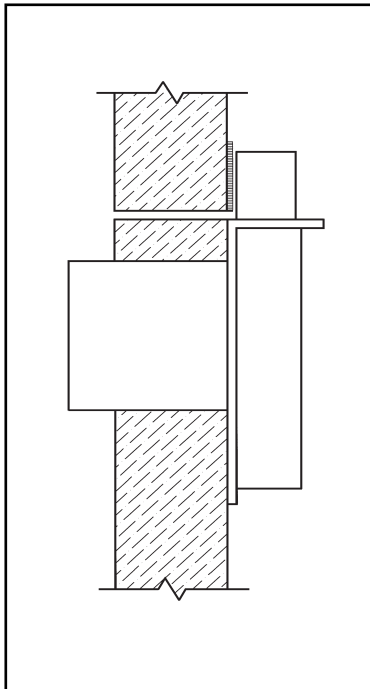
725RD

Includes

- 2 Mounting screws #8 x 5/8"
- 2 Strike screws #5 x 5/8"



Typical Installation



Title

Installation instructions for 725RD series cabinet lock

Series

725RD

Barrel Length

1-1/16"

Bolt type

Deadbolt

Mounting

Surface

Revision Date

07/2009

OLYMPUS
LOCK, INC.