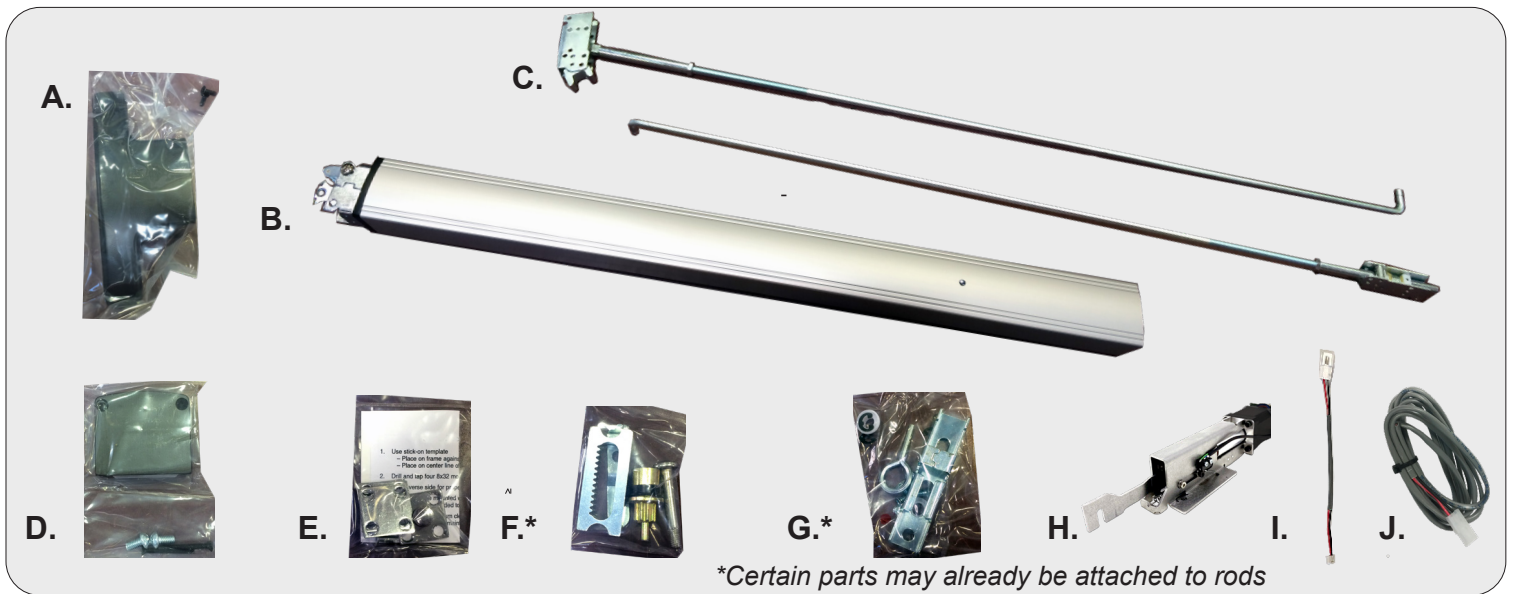


# PD10-M-CVR



## INSERT INSTRUCTIONS

The PD10-M-CVR is a storefront grade 1 exit device equipped with motor drive latch retraction. Retrofits Doromatic 1690 & First Choice 3690.

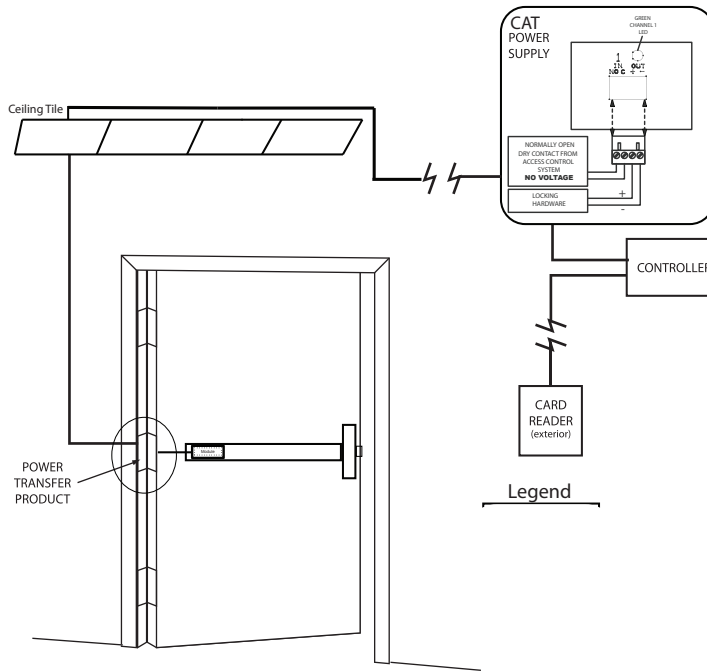


*\*Certain parts may already be attached to rods*

## KIT INCLUDES | TOOLS REQUIRED

- A. Head Cover pack
- B. CVR Exit Device
- C. Concealed Vertical Rods
- D. Hinge Stile End Cap pack
- E. Strike pack
- F. Retractor & Pinion pack
- G. Traveler pack
- H. MOTOR KIT - Installed in exit device
- I. 1- 50944 Molex Pigtail
- J. 1- 50030 8' Lead w/ VD Connector

- Cordless Drill
- Needlenose Pliers
- Measuring Tape
- 1/2 Drill bit



**PTS VIDEO**

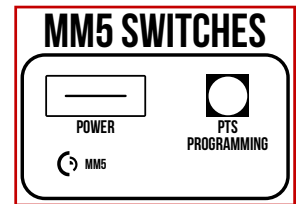


## SETTING PUSH TO SET (PTS)

**\*\*IMPORTANT INFO\*\***

**MAKE SURE TO SET PTS BEFORE FINISHING INSTALLATION**

- STEP 1 -** To enter PTS mode: Depress MM5 button & apply power. The device will emit 1 SHORT beep. The device is now in PTS mode.
- STEP 2 -** While depressing the push pad, apply power. (i.e. presenting the credential to the reader).
- STEP 3 -** Continue to keep pad depressed, the device will emit 1 LONG Beep. After the beep has stopped, release the pad and now the adjustment is complete. test the new location, If not to your liking repeat the 3 steps.

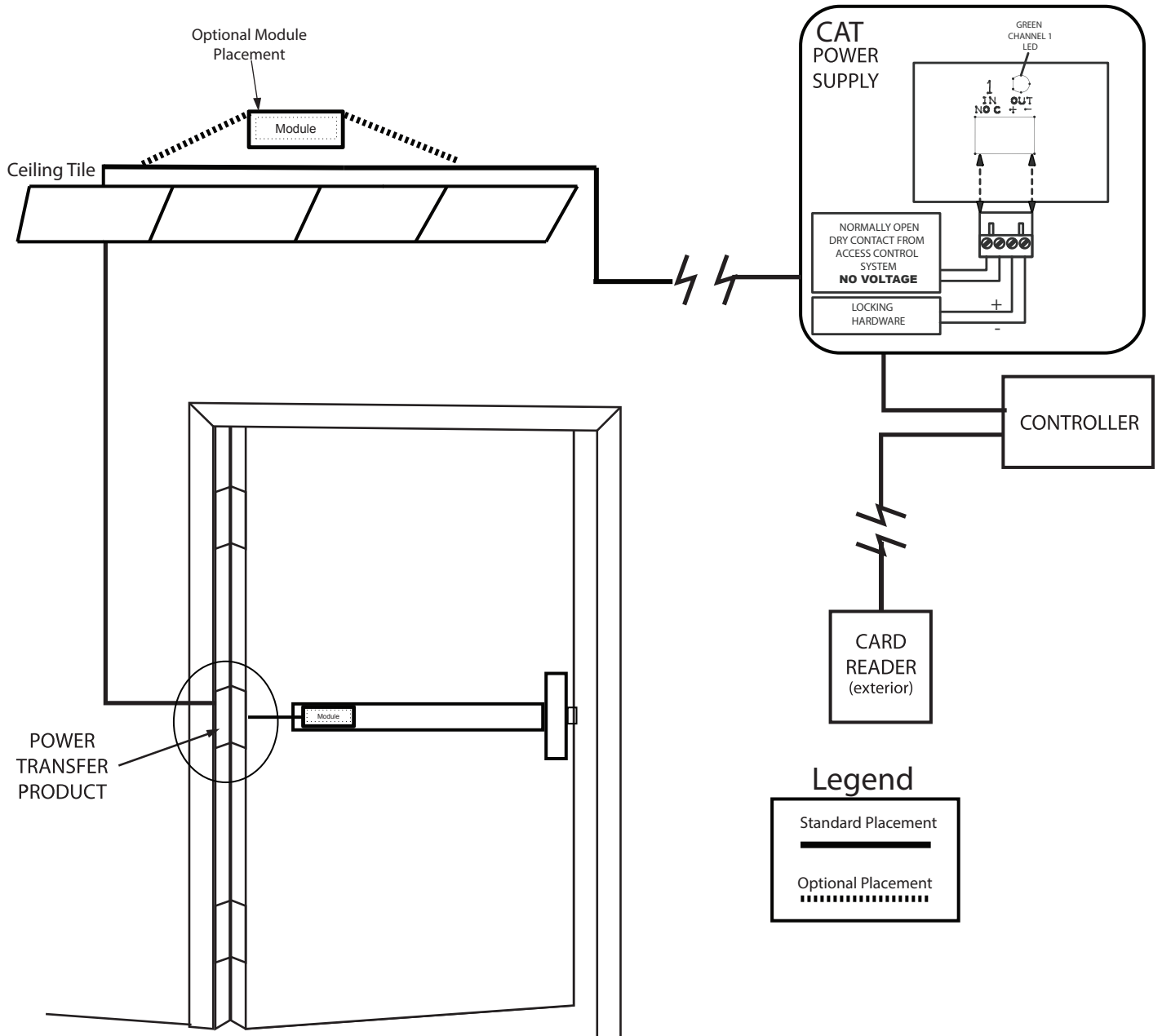


## TROUBLESHOOTING & DIAGNOSTICS

BEEPS	EXPLANATION	SOLUTION
2 Beeps	Over Voltage	> 30V unit will shut down. Check voltage & adjust to 24 V.
3 Beeps	Under Voltage	< 20V unit will shut down. Check voltage & adjust to 24 V.
4 Beeps	Failed Sensor	Verify all 3 sensor wires are installed correctly. Replace sensor if problem persists by contacting office.
5 Beeps	Retraction or dogging failure	After 1st fail: 5 beeps then immediately attempts to retract again. After 2nd fail: 5 beeps with pause in-between for 30 seconds then device attempts to retract again. After 3rd fail: 5 beeps every 7 minutes, device will not attempt to retract. To Reset: Depress bar for 5 seconds at any time.

# Electrified Exit Device

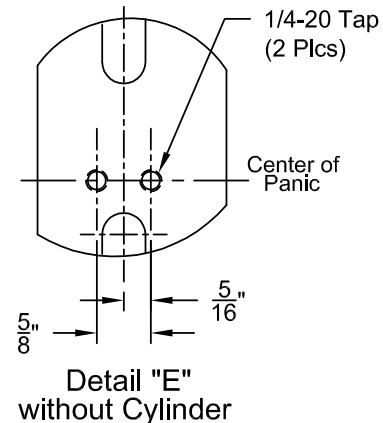
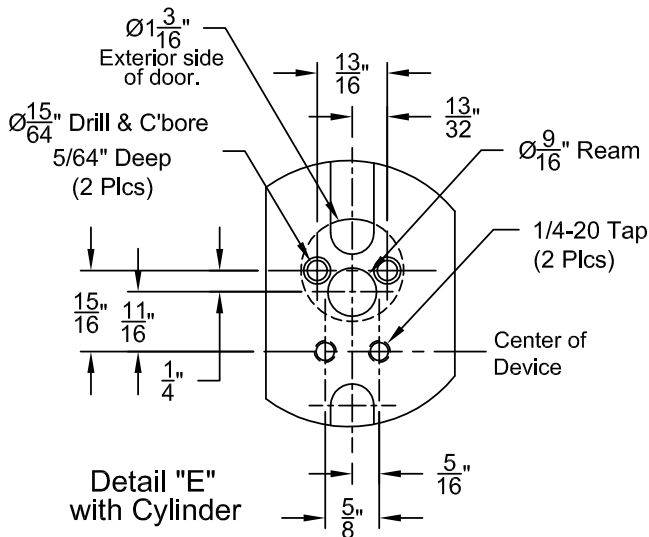
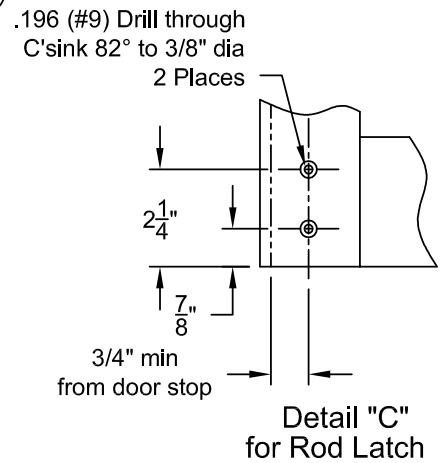
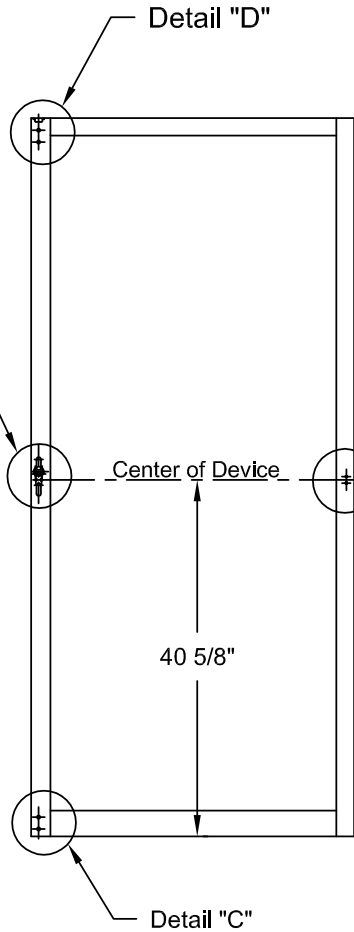
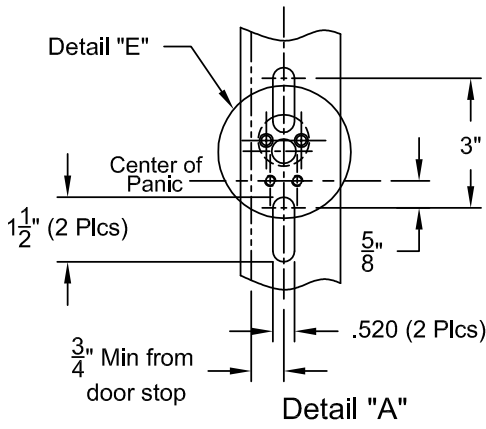
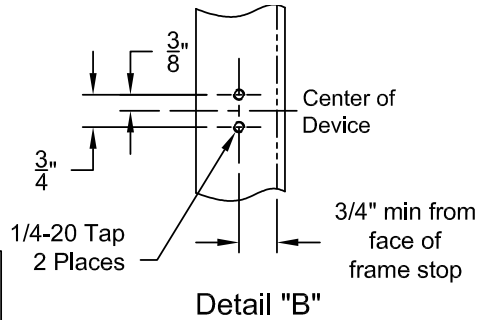
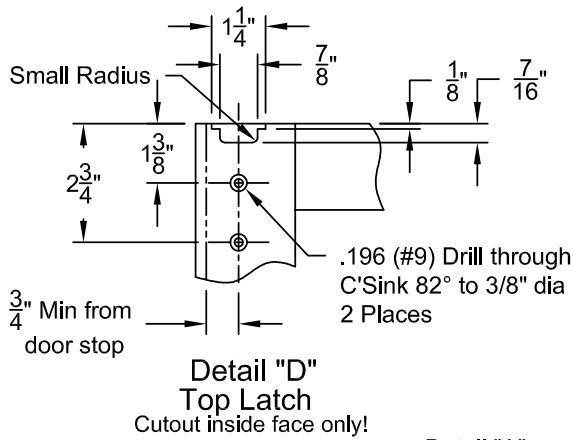
## Installation Example



# Concealed Vertical Rod

## For Bottom Rod Latch Installation Template

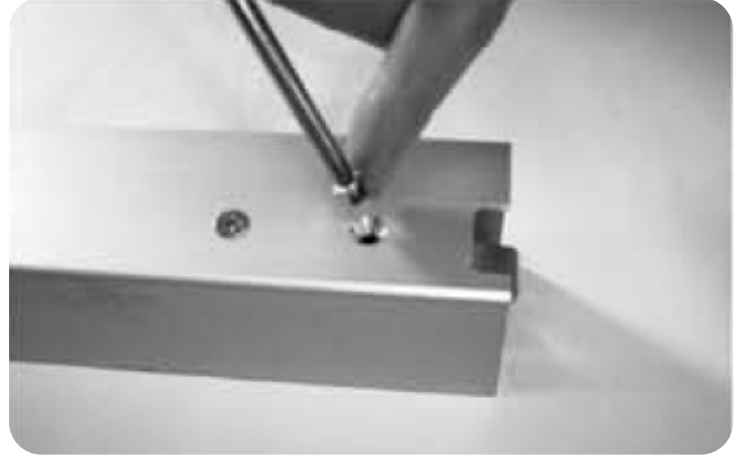
All prep is shown on interior side of the door,  
except where noted.  
Right hand door shown. (LHR)



## **STEP 1 - Install Vertical Rods**

(Rods are factory preset for door height of 83 3/16 and a cylinder location of 41 5/16- see page 9 for additional details.)

- A. Install top latch mechanism using 2 ea. #10-31X1/4 screws.



- B. Affix bent end of rod on door using rod bushing with "E" ring.



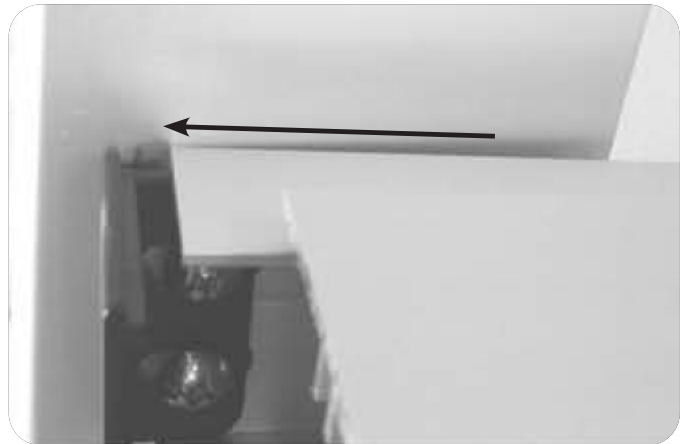
- C. Install bottom rod assembly in the same manner as above.

## **STEP 2 - Mount Exit Device**

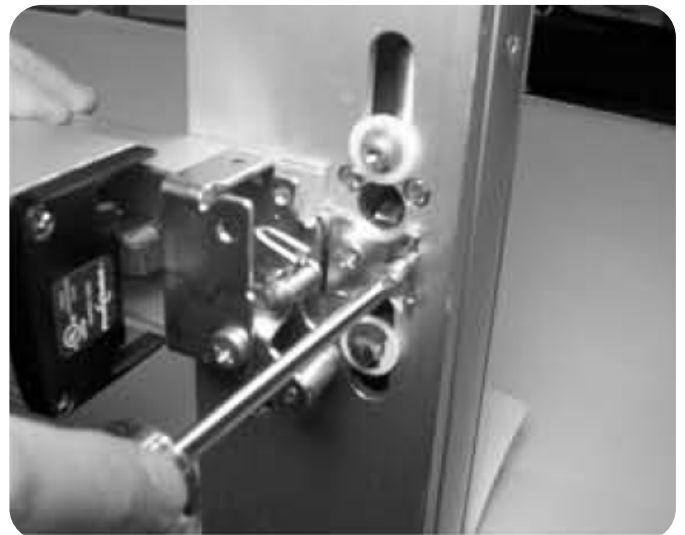
- A. Install the stile mounting bracket with 2 ea. 1/4-20 x 1/2 pan head screws. Leave space to capture the base of the device. (See next slide)



- B. Slide the end of baserail underneath the mounting bracket.

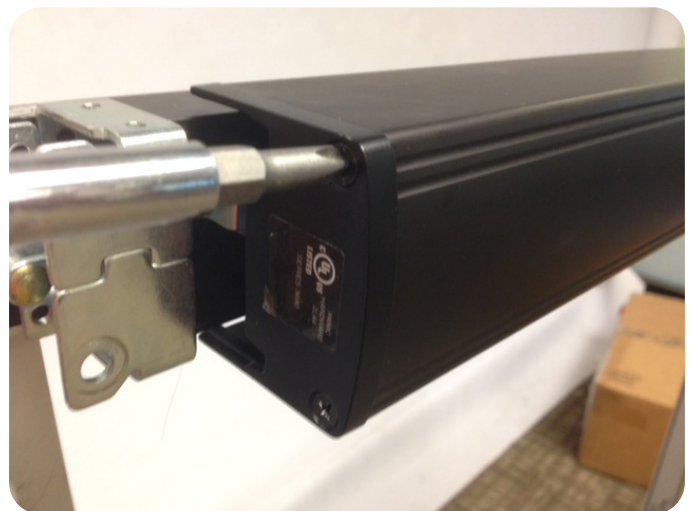


- C. Attach head of device to stile with 2 ea. 1/4-20x1/2 flat head screws. Tighten screws on the head and tail of the device.

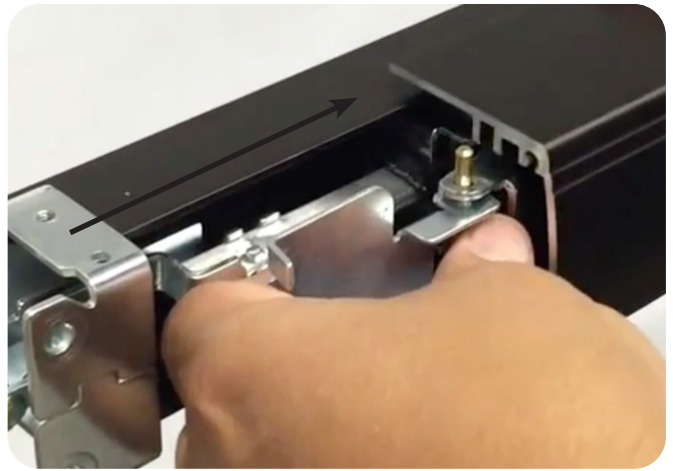


## **STEP 3 - Drill Wire Chase**

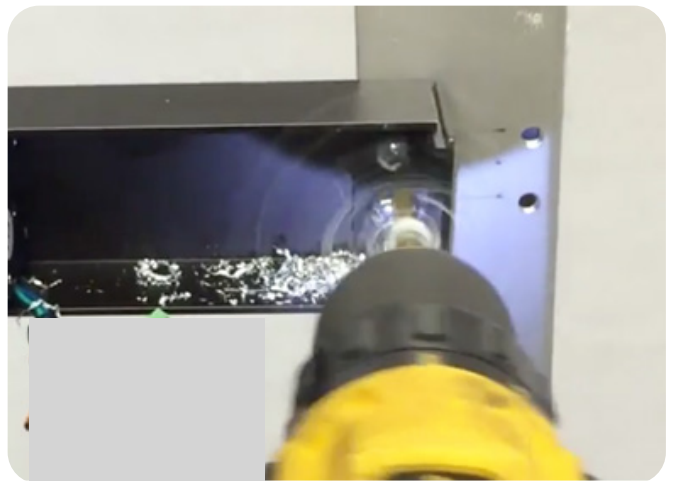
- A. Remove lock stile end cap.



B. Slide push pad off of baserail.



C. Drill the hole for our 2 pin power lead in-between the 2 mounting screws.

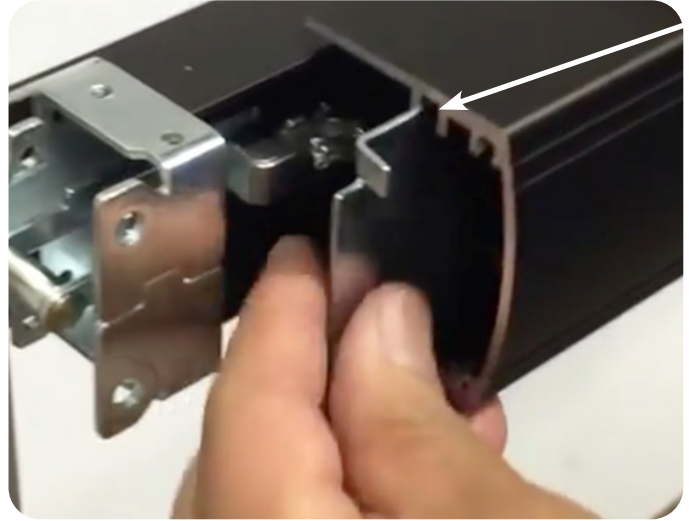


D. Feed the 2 pin power lead into the hole and connect to our MM4 module. Also, make sure to clean out any debris left.



Note: Depending on where your power transfer is; next you would fish the other side of the power lead we connected to the MM5 and hook up to your incoming power. If you have a portable tester this would be a good time to test fire the motor.

- E. Replace push pad, making sure the activating brackets and pins slide through the 3<sup>rd</sup> channel.

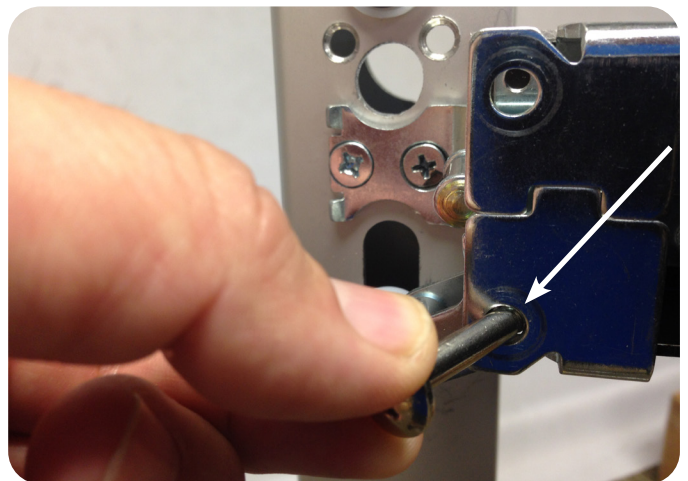


- F. Reinstall the lock stile end cap.



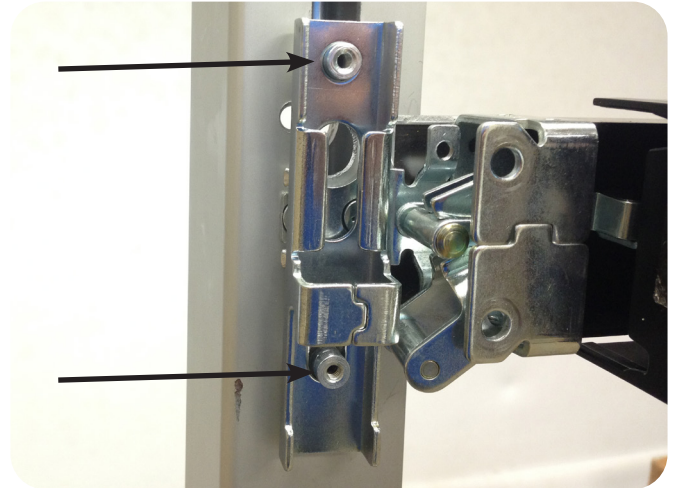
## **STEP 4 - Attach Vertical Rods**

- A. Before installing the traveller. Remove Axle screw, allowing the lifting arm to relax and move out of the way.

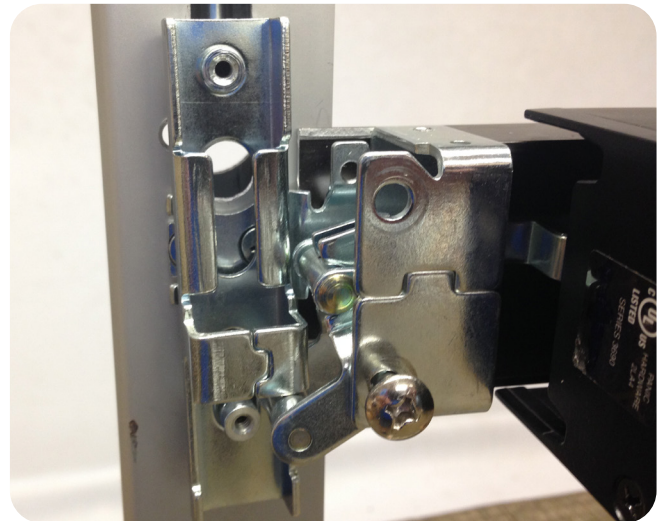




B. Install Traveller onto the bent end of the vertical rods.



C. Re-install Axle screw and tighten.



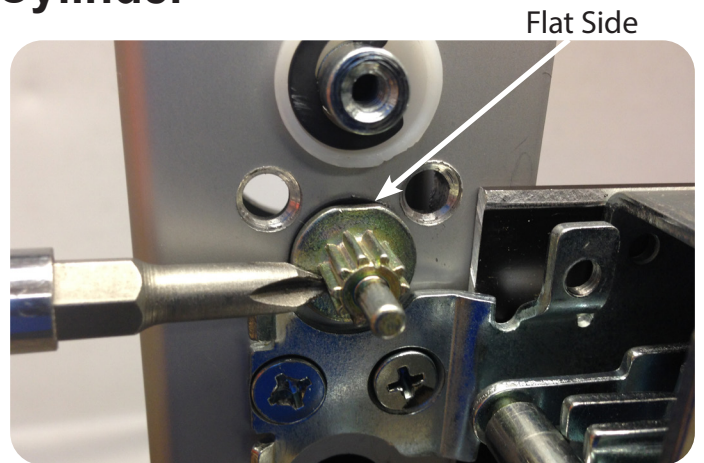
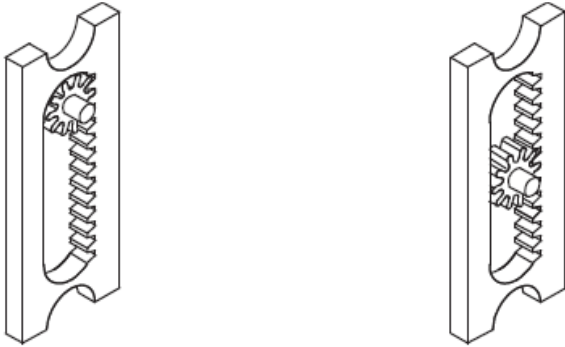
D. Install Pinion support bracket and tighten retainer screw.



## Optional STEP - Installing Cylinder

- A. Place Pinion with black cylinder bushing into the door with the cylinder tail piece sliding into the back of the pinion.

Flat side of pinion facing up.

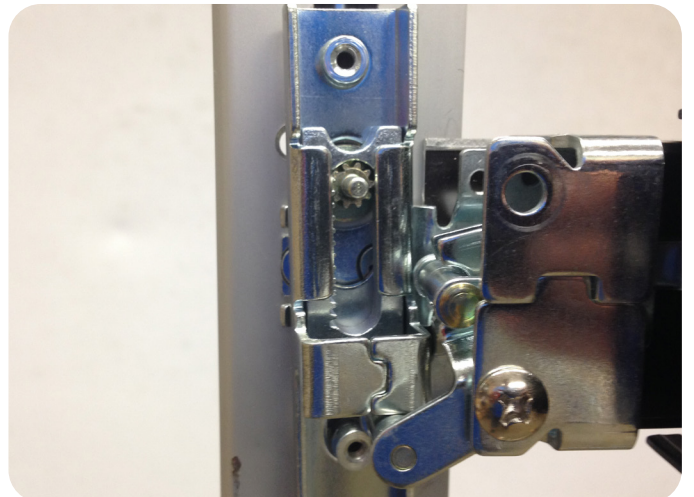


### **Hold back (HB)      Night latch (NL)**

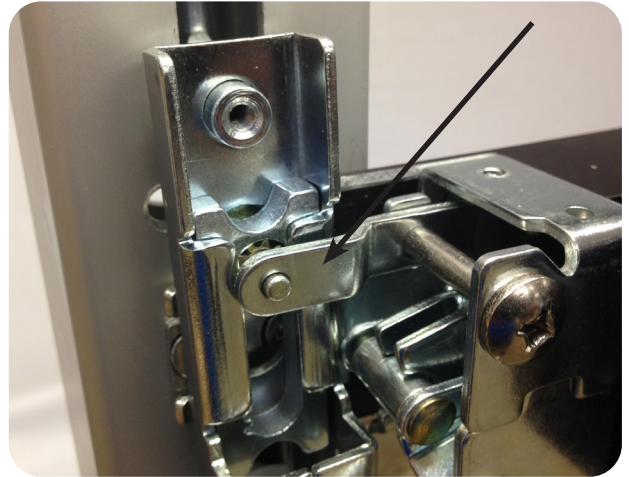
- B. Add Retractor and Traveller lift bracket. Pick placement of pinion depending on desired function.



- C. Reinstall Axle screw and tighten.

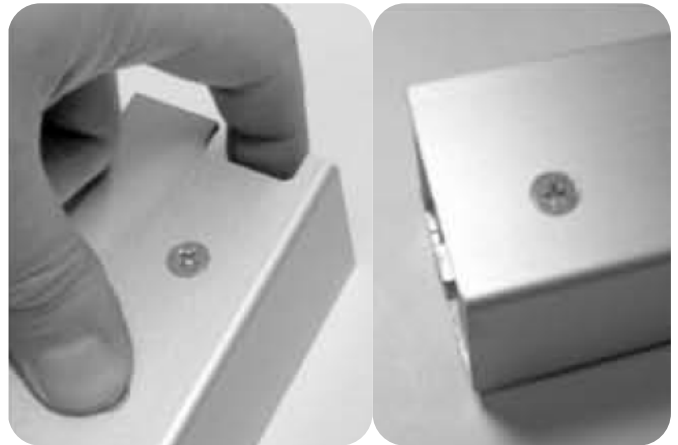


- D. Install Pinion support bracket and tighten retainer screw.



## **STEP 4 - Continued**

- A. -Check Top Rod operation.  
When push pad is depressed fully, top latch should open and allow top strike to pass, and swing freely.
- Check Bottom Rod operation.  
The bottom latch should not protrude more than 1/16 inch below the bottom of the door when the push pad is depressed.

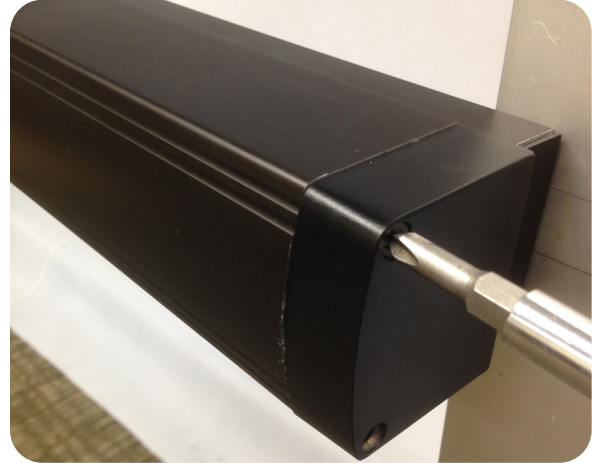


- B. Install head cover with 2 ea. 10-32 x 3/8 screws.



- C. Install hinge stile push pad cover with 2 ea. 8-32 x 1 1/2" screws. Now you set you latch retraction adjustment with our "PTS" technology.

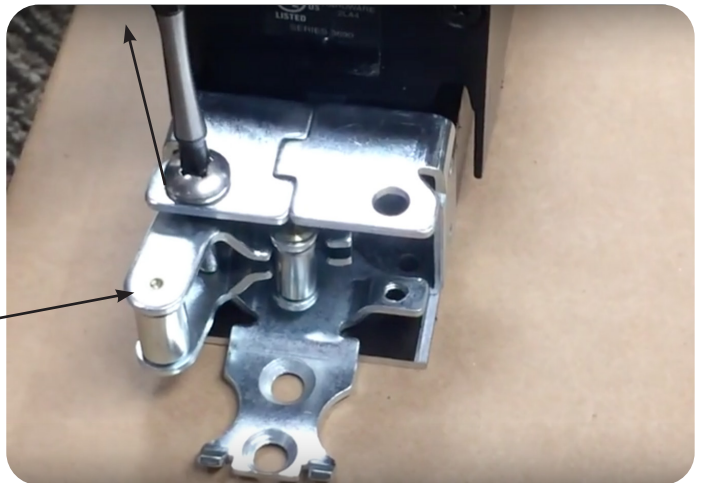
See page #2



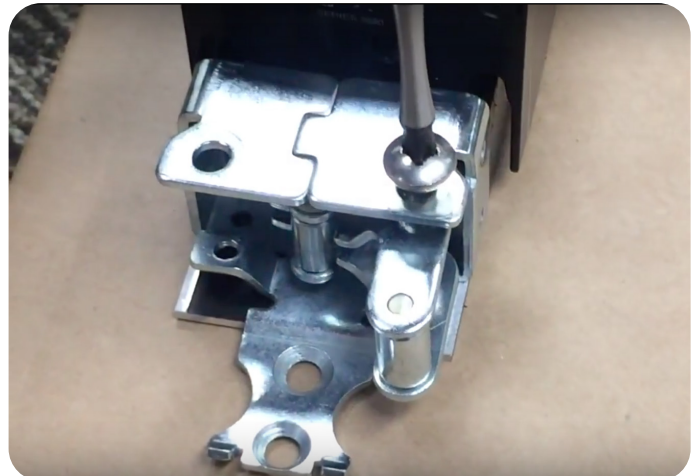
## Optional STEP - How to change hand-

- A. Remove the Axle screw and lifting arm.

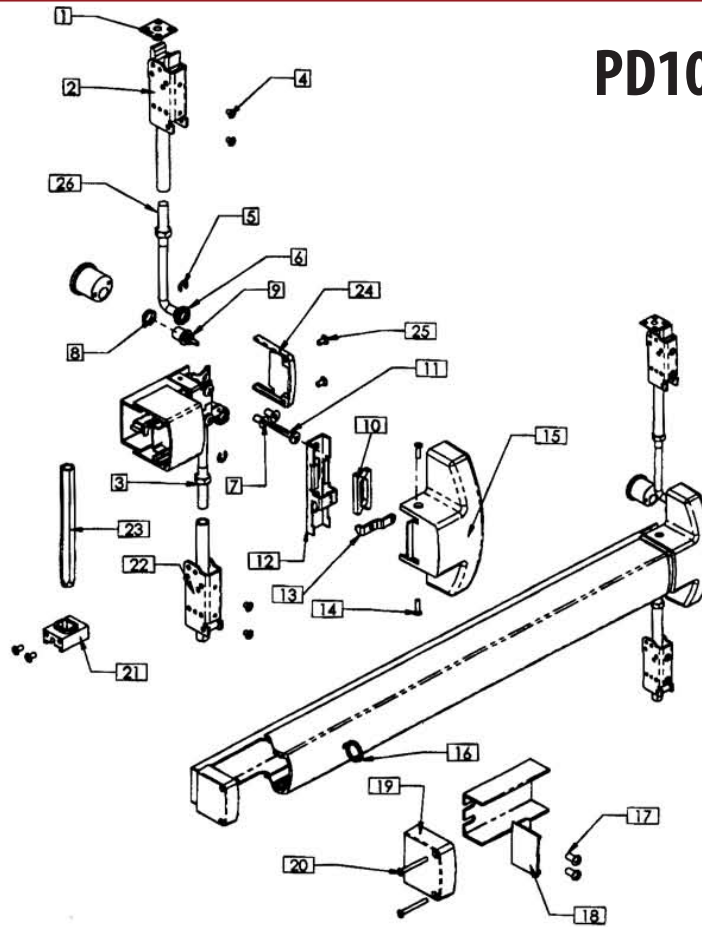
Lifting arm.



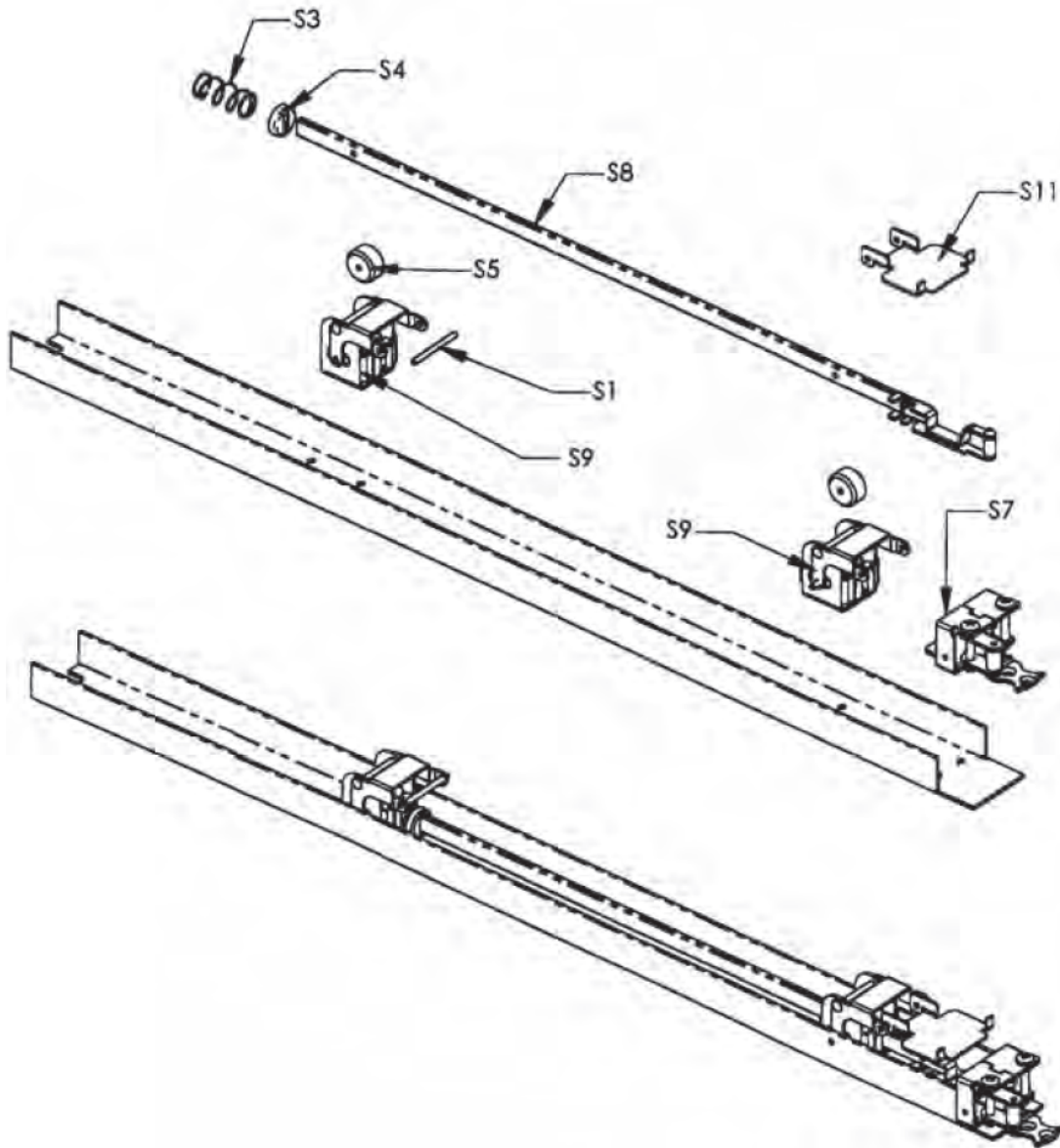
- B. Flip the lifting arm to the other side of the assembly. Re-install Axle screw and tighten.



# PD10 Parts Breakdown



Reference Number	Description	Part Number	Quantity Per Device
1	Top Strike Kit - SS	9038	1
	Consists of:		
	Top Strike (1 ea.)	16001238	
	Strike Shim (3 ea.)	16001118	
2	Top Latch Assembly	42	1
3	Jamb Nut	806	2
4	Latch Housing Screw	811-CL, 811-BR	4
5	Retaining E-Ring	809	2
6	Rod Bushing	810	2
7	Lock Stile Mounting Screw	816	2
8	Cylinder Bushing	16001004	1
9	Pinion	16001007	1
10	Retractor	16001003	1
11	Axle Screw	3	1
12	Traveler	16001098	1
13	Pinion Support Bracket	821	1
14	Cover Screw	804	2
15	Center Case Cover	40	1
16	Dogging Key	819	1
17	Hinge Stile Mounting Screw	801	2
18	Channel End Cap	33	1
19	Hinge Stile Push Bar End Cap	30	1
20	End Cap Mounting Screw	802	2
21	Weighted Latch Guide w/ Screws	77	1
22	Bottom Latch Assy - Spring	45	1
23	Bottom Latch Assy - Weighted	76	1
24	Lock Stile End Cap	50	1
25	LS End Cap Mounting Screw	838	2
26	Vertical Rod w/ locking nut	16001015	2



<i>Reference Number</i>	<i>Description</i>	<i>Part Number</i>	<i>Quantity Per Device</i>
S1	Axle Pins	14	2
S3	Spring	23	1
S4	Spring Cap	24	1
S5	Roller Stop	17	2
S7	Crank Bracket Assy.	9040	1
S8	Activating Connecting Rod	21	1
S9	Lock Stile Activating Bracket	9034	2
S11	Push Bar Bracket	15	1