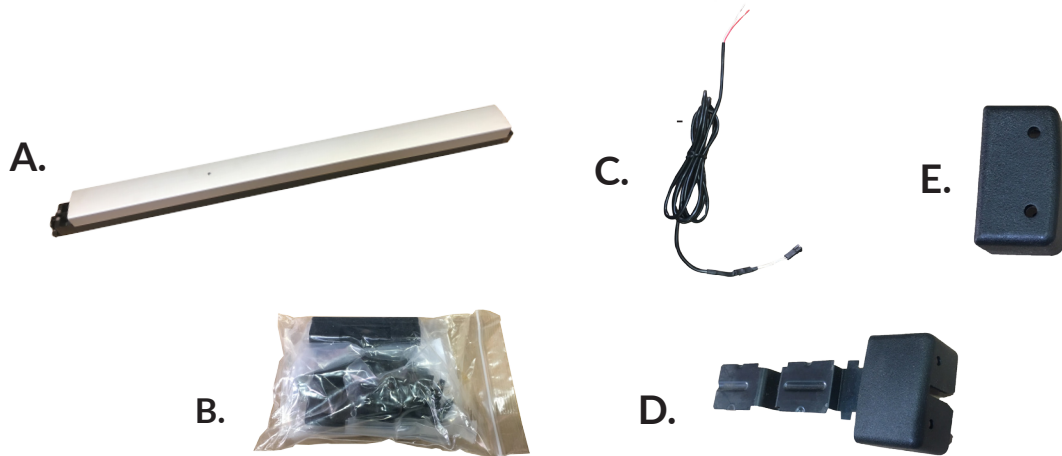




PD18-RIM

INSTALLATION INSTRUCTIONS

The PD18-RIM is a storefront grade 1 exit device equipped with motor driven latch retraction. Retrofits Adams Rite 8800 series.



PD18-RIM Includes

- A. RIM Exit Device
- B. Hardware pack
- C. 5' Lead
- D. Lock Stile End Cap pack
- E. Hinge Stile End Cap pack

Tools Required

- Cordless Drill
- Needle Nose Pliers
- Measuring Tape
- 1/8 Drill Bit
- 1/4 Drill Bit
- #25 Drill Bit



TECHNICAL INFORMATION

SPECIFICATIONS

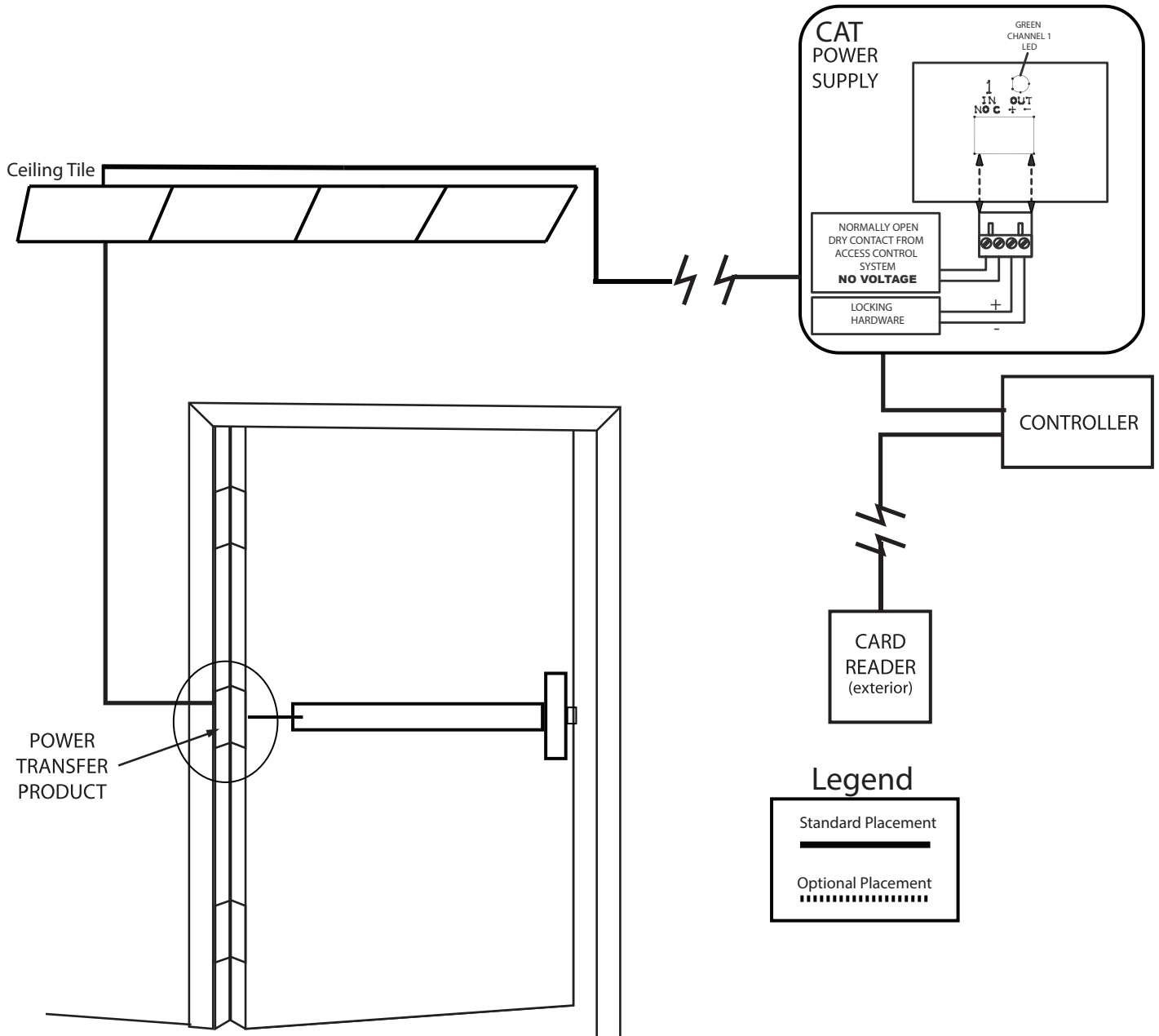
- Input Voltage: 24VAV/DC or 12VAC/DC +/- 10%
- Solenoid Amperage 12V: 900mA
- Solenoid Amperage 24V: 450mA
- Wire gauge: Minimum 18 gauge

TROUBLESHOOTING & DIAGNOSTICS

SYMPTOM	POSSIBLE CAUSE	SOLUTION
Solenoid pulls back but releases immediately	Solenoid plunger not seating correctly	- Check plunger rod adjustment. - Check vertical rod adjustment. - Make sure the plunger set screw has been installed correctly.
Solenoid pulls back and holds, but does not retract latch far enough	Plunger rod out of adjustment	Check plunger rod adjustment
Solenoid has excess delay time and/or drop out.	Wire run exceeding the maximum recommended distance	Locate power supply within the distances specified

Electrified Exit Device

Installation Example



RECOMMEND POWER SUPPLIES:

All Command Access exit devices & field installable kits have been thoroughly cycle tested with Command Access power supplies at our factory.

- PS210
- PS204/204B
- PS480B
- PS2/2B
- PS220/220B
- PS440B
- PS1
- PS5-4

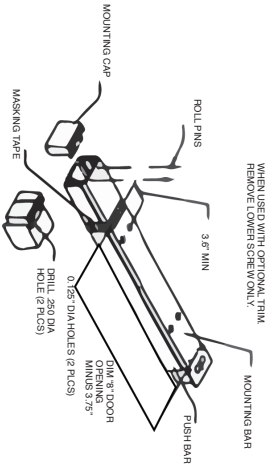


For more information [click here](#) or go to our website

DOOR SIZE	30"	36"	42"	48"
DIA	26.88	32.88	38.88	44.88

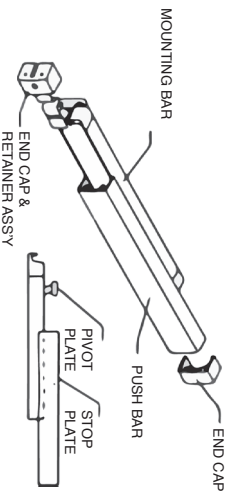
CUT-OFF INSTRUCTIONS FOR NON STANDARD DOORS

1. DRIVE OUT TWO ROLL PINS
2. REMOVE MOUNTING CAP
3. COLLAPSE BAR AND TAPE DOWN IN THE AREA OF CUT-OFF
4. DETERMINE EXTRUSION LENGTH (8" DIM) DIMENSIONS FROM RIVET
5. CENTERLINE TO NEW CUT-OFF LENGTH
6. MEASURE MOUNTING BAR (NOT PUSH BAR) AND MARK EXTRUSION LENGTH ON TAPE
7. SAW OFF EXCESS LENGTH, REMOVE TAPE AND DE-BURR LAY MOUNTING CAP OVER MOUNTING BAR AND USE AS GUIDE TO DRILL TWO 1/8" DIAMETER HOLES
8. REINSTALL MOUNTING CAP INTO MOUNTING BAR AND DRIVE TWO ROLL PINS INTO HOLES.



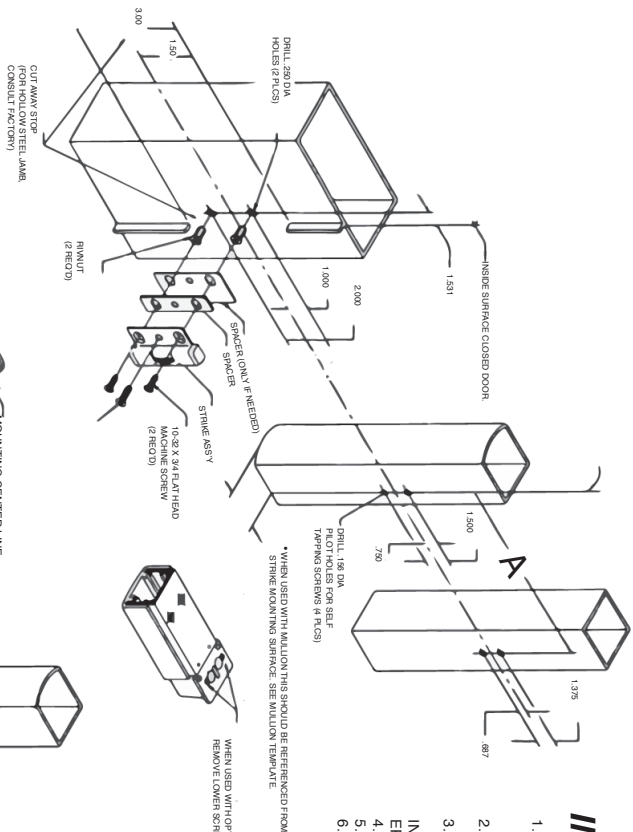
SEPARATING PUSH BAR AND MOUNTING BAR PROCEDURE

1. REMOVE BOTH END CAPS. THE RETAINER IS ATTACHED TO THE NOSE CAP.
2. SLIDE PUSH BAR TOWARD HINGE SIDE OF DOOR.
3. CONTINUE TO SLIDE THE PUSH BAR PAST THE PIVOT PLATE THAT RIDES IN PUSH BAR TRACK.
4. SLIDE PUSH BAR IN OPPOSITE DIRECTION KEEPING PIVOT PLATE OUT OF TRACK UNTIL PUSH BAR IS FREE OF MOUNTING PLATE.

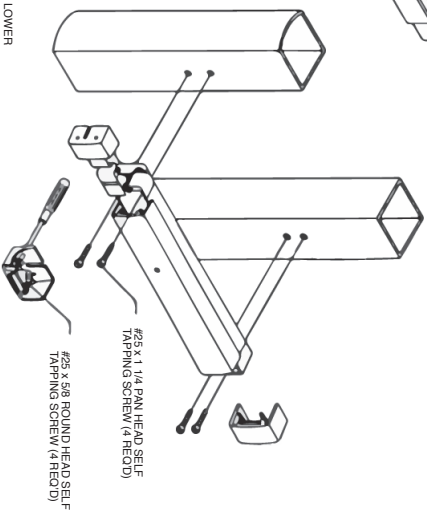


INSTALLING PUSH BAR TO MOUNTING BAR

1. WITH PUSH BAR IN HAND AND MOUNTING BAR ATTACHED TO DOOR, FIND STOP PLATE STAKED INTO PUSH BAR (THIS PLATE IS ON THE LATCH END OF ASSEMBLED UNIT). SLIDE THE PIVOT PLATE NEAREST HINGE INTO TRACK OF PUSH BAR UNTIL SECOND PIVOT PLATE IS EXPOSED. INSERT PIVOT PLATE INTO TRACK ON PUSH BAR AND SLIDE IN OPPOSITE DIRECTION UNTIL PUSH BAR AND MOUNTING BAR ALIGN.



NOTE: CYLINDER ACTUATOR MUST ALWAYS BE IN LOWER HOLE TO ENGAGE CYLINDER TAIL PIECES



METRIC EQUIVALENTS

219	5.56	1.500	38.10	38.88	96.75
250	6.35	1.531	38.89	42	106.80
375	9.53	2.000	50.80	44.88	113.95
406	10.31	3.00	76.20	48	121.920
687	17.45	3.6	91.44	116	1.59
750	19.05	4.125	104.78	376	4.75
813	20.65	26.88	682.75	58	14.88
1,000	25.40	30	762.00	118	28.58
1,156	29.35	32.88	835.15		

INSTALL INSTRUCTIONS

1. CRIMP ALL RIVNUTS IN STYLE AND JAMB ACCORDING TO INSTRUCTIONS WITH RIVNUT TOOL. **SNIP STEPS 2 AND 3 IF CYLINDER IS NOT USED.**
2. INSTALL CYLINDER, USING SCREWS SUPPLIED WITH CYLINDER.
3. INSTALL MOUNTING BAR (IF CYLINDER IS USED, BE SURE THAT TAILPIECE PROTRUDES 3/16 INCH TO ENJOY).
4. INSTALL PUSH BAR TO MOUNTING BAR.
5. INSTALL END CAPS.
6. INSTALL STRIKE AND STRIKE PLUG. USE ENOUGH SPACERS SO THAT STRIKE CLEARS CAP BY 1/16"



STRIKE PREPARATION AND INSTALLATION

INSTRUCTIONS

