

5100 DOOR CLOSER MODELS

REGULAR ARM INSTALLATION - PULL SIDE

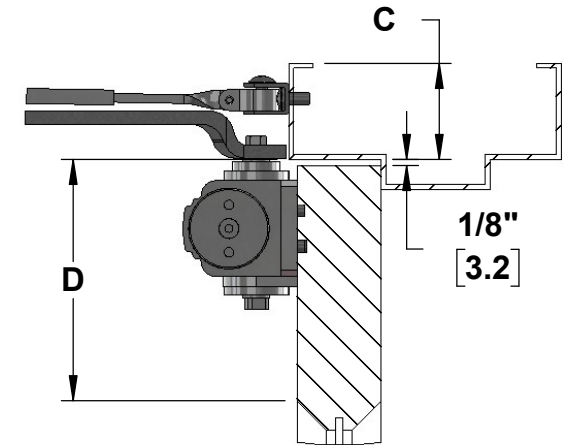
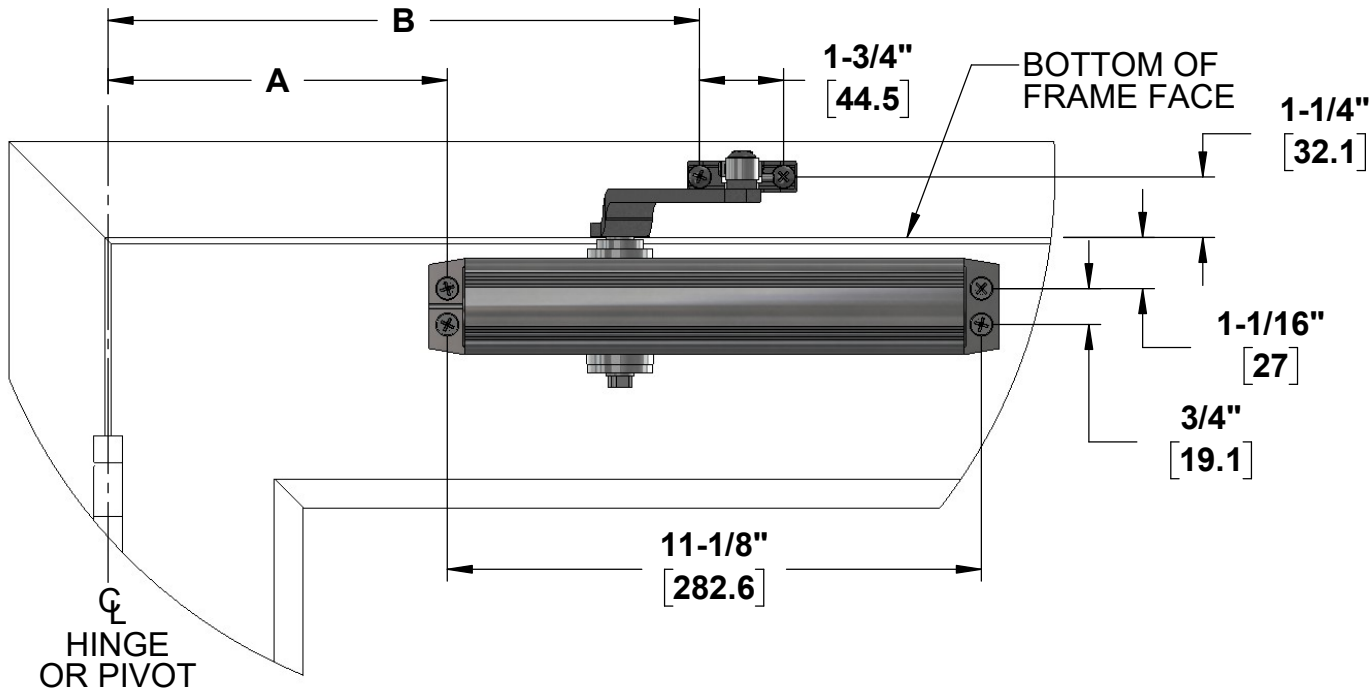
NON-HOLD OPEN AND HOLD OPEN APPLICATIONS - 180° MAX. CONDITIONS PERMITTING*

TEMPLATE: 519301,

REV. 1 01-08-18

Opening	Dim. A	Dim. B	Dim. C	
To 120°	7-1/16" [179.4]	12-7/16" [315.9]	MIN. CEILING CLEARANCE NON HOLD-OPEN	1-7/8" [47.6]
Over 121°	3-15/16" [100.0]	9-5/16" [236.5]	MIN. CEILING CLEARANCE HOLD-OPEN	2" [50.8]
			MIN. FACE HEIGHT NON HOLD-OPEN	1-5/8" [41.3]
			MIN. FACE HEIGHT HOLD-OPEN	1-3/4" [44.5]

Dim. D	
MIN. RAIL TO MOUNT CLOSER	2-1/2" [63.5]
MIN. RAIL TO BOTTOM OF FULL COVER	3-1/2" [88.9]



MACHINE SCREWS:
USE #7 OR 13/64" [5.11] DRILL AND 1/4-20 TAP

WOOD DOOR / FRAME SCREWS:
USE 5/32" [4] DRILL

SEX NUTS:
USE 3/8" [9.53] DRILL (CLOSER TO DOOR)

NOTES:

1. DRAWING IS NOT TO SCALE.
2. RIGHT HAND DOOR SHOWN. FOR LEFT HAND DOOR REVERSE IMAGE.
3. DIMENSIONS BASED ON 4-1/2" X 4-1/2" BUTT HINGES.
4. DOOR SWING MAY BE ALTERED DUE TO OTHER LIMITING CONDITIONS.*
5. CAUTION: SEX NUTS MAY BE REQUIRED FOR UNREINFORCED DOORS OR COMPOSITE FIRE DOORS. CONSULT MANUFACTURER'S RECOMMENDATIONS.
6. HOLD OPEN ARMS CAN NOT BE USED ON LABELED FIRE DOORS.
7. PROJECTION OF FULL COVER = 2-1/2" [63.5]
8. ALWAYS CHECK PDQ WEB SITE FOR THE MOST RECENT REVISION AT WWW.PDQLOCKS.COM.