

5100 DOOR CLOSER MODELS

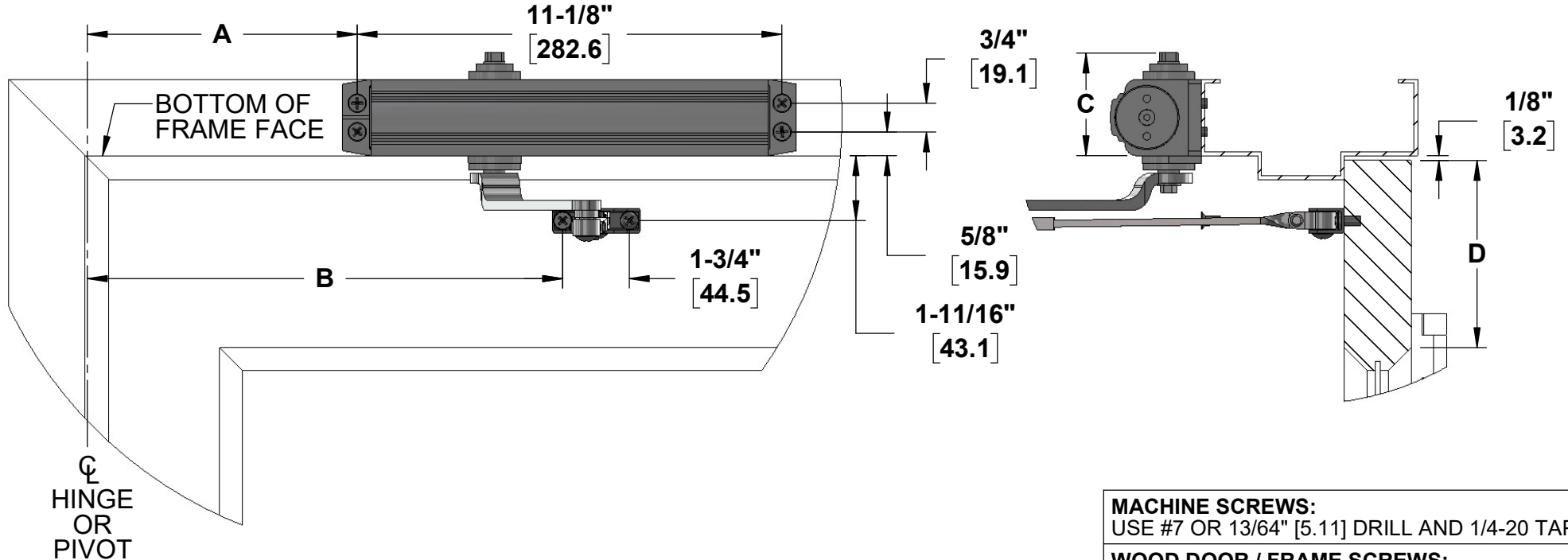
TOP JAMB INSTALLATION - PUSH SIDE

NON-HOLD OPEN AND HOLD OPEN APPLICATIONS - 180° MAX. CONDITIONS PERMITTING*

TEMPLATE: 519302,

REV. 1 01-08-18

Opening	Dim. A	Dim. B	Dim. C		Dim. D	
			To 120°	7-1/16" [179.4]	12-7/16" [315.9]	MIN. FRAME FACE TO MOUNT CLOSER
121° To 180°	3-15/16" [100.0]	9-5/16" [236.5]	MIN. CEILING CLEARANCE TO BOTTOM OF COVER	3-1/4" [82.6]	MIN. RAIL TO HO ARM	2-7/8" [66.7]



MACHINE SCREWS: USE #7 OR 13/64" [5.11] DRILL AND 1/4-20 TAP
WOOD DOOR / FRAME SCREWS: USE 5/32" [4] DRILL
SEX NUTS: USE 3/8" [9.53] DRILL (CLOSER TO DOOR)

NOTES:

1. DRAWING IS NOT TO SCALE.
2. LEFT HAND DOOR SHOWN. FOR RIGHT HAND DOOR, REVERSE IMAGE.
3. DIMENSIONS BASED ON 4-1/2" X 4-1/2" BUTT HINGES.
4. DOOR SWING MAY BE ALTERED DUE TO OTHER LIMITING CONDITIONS.*
5. CAUTION: SEX NUTS MAY BE REQUIRED FOR UNREINFORCED DOORS OR COMPOSITE FIRE DOORS. CONSULT MANUFACTURER'S RECOMMENDATIONS.
6. HOLD OPEN ARMS CAN NOT BE USED ON LABELED FIRE DOORS.
7. PROJECTION OF FULL COVER = 2-1/2" [63.5]
8. ALWAYS CHECK PDQ WEB SITE FOR THE MOST RECENT REVISION AT WWW.PDQLOCKS.COM.



PDQ Manufacturing
2230 Embassy Dr.
Lancaster, PA 17603
833-273-7832
833-2 PDQTECH
www.pdqlocks.com