

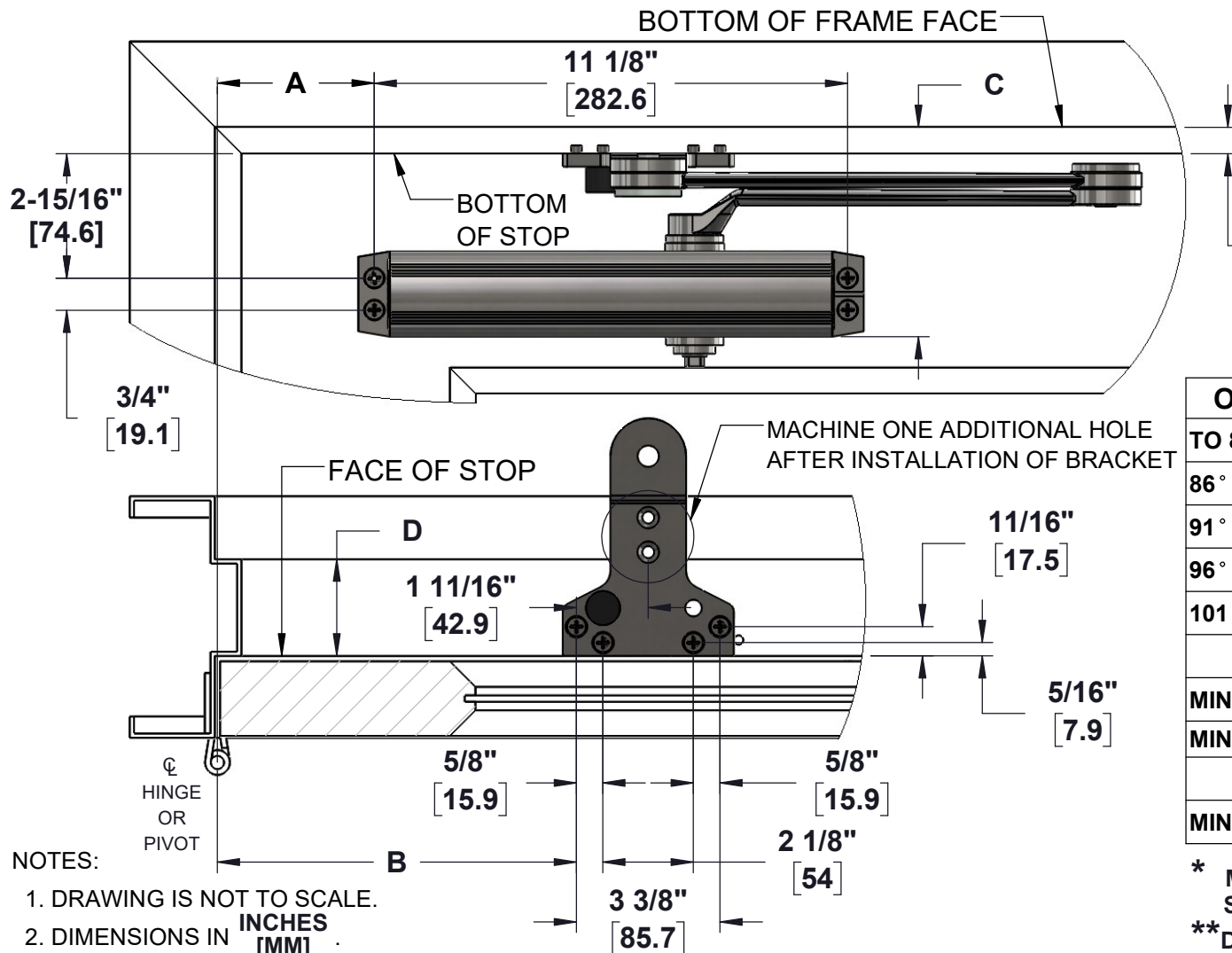
# 5100 DOOR CLOSER MODELS

HEAVY DUTY PARALLEL ARM INSTALLATION - PUSH SIDE

W/STOP = DS (NHO)/DSHO (HO) - 105° MAX. CONDITIONS PERMITTING\*\*, W/OUT STOP = EDA (NHO)/EDAHO (HO)

TEMPLATE: 519304

REV. 0 02-19-18



- MACHINE SCREWS:**  
USE #7 OR 13/64" [5.1] DRILL AND 1/4-20 TAP
- WOOD DOOR/FRAME SCREWS:**  
USE 5/32" [4] DRILL
- SEX NUTS:**  
USE 3/8" [9.5] DRILL (CLOSER TO DOOR)

**5/8"**  
**[15.9]**

Opening**	Dim. A	Dim. B
TO 85°	4-1/8" [104.8]	9" [228.6]
86° TO 90°	3-5/8" [92.1]	8-1/2" [215.9]
91° TO 95°	2-15/16" [71.4]	7-13/16" [198.4]
96° TO 100°	2-5/16" [58.7]	7-3/16" [182.6]
101° TO 105°	1-3/4" [44.5]	6-5/8" [168.3]
<b>Dim C.*</b>		
MIN. TO BOTTOM OF CLOSER	5-1/16" [128.6]	
MIN. TO BOTTOM OF FULL COVER	6-1/16" [154]	
<b>Dim. D</b>		
MIN. STOP DEPTH RECOMMENDED	1-1/4" [31.8]	

\* MIN. RAIL DIMENSIONS BASED ON 5/8" [15.9] STOP HEIGHT AND 1/8" [3.2] TOP DOOR GAP.

\*\* DOOR MAY SWING UP TO 5° BEYOND STOP/HO POINT INDICATED

- NOTES:
1. DRAWING IS NOT TO SCALE.
  2. DIMENSIONS IN **INCHES [MM]**.
  3. LEFT HAND DOOR SHOWN. FOR RIGHT HAND DOOR REVERSE IMAGE.
  4. DIMENSIONS BASED ON 4-1/2" X 4-1/2" BUTT HINGES.
  5. DOOR SWING MAY BE ALTERED DUE TO OTHER LIMITING CONDITIONS.
  6. CAUTION: SEX NUTS MAY BE REQUIRED FOR UNREINFORCED DOORS OR COMPOSITE FIRE DOORS. CONSULT MANUFACTURER'S RECOMMENDATIONS.
  7. HOLD OPEN ARMS CAN NOT BE USED ON LABELED FIRE DOORS.
  8. PROJECTION OF FULL COVER = 2-1/2" [63.5]
  9. ALWAYS CHECK PDQ WEBSITE FOR THE MOST RECENT REVISION AT WWW.PDQLOCKS.COM.