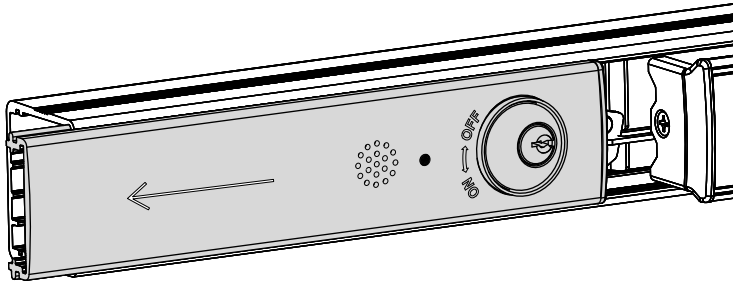


63/6400 ALARM KIT INSTALLATION INSTRUCTIONS



Phone: 833-2-PDQTEC | www.pdqlocks.com



1. REMOVE FILLER PLATE

- Slide filler plate away from pushbar
- If plastic filler plug remains inside main rail, remove and reinstall into filler plate

2. SET SIREN TIME

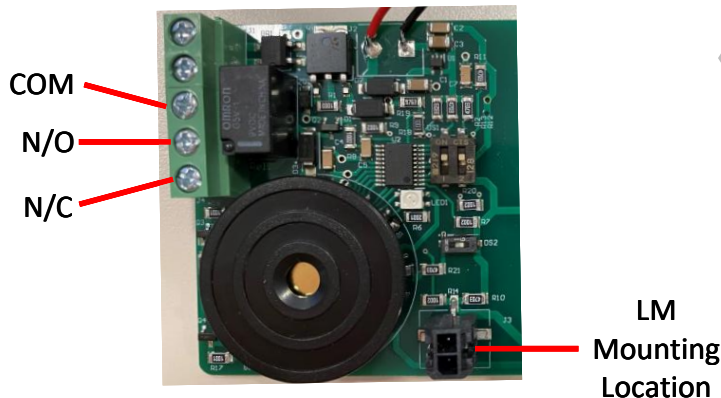
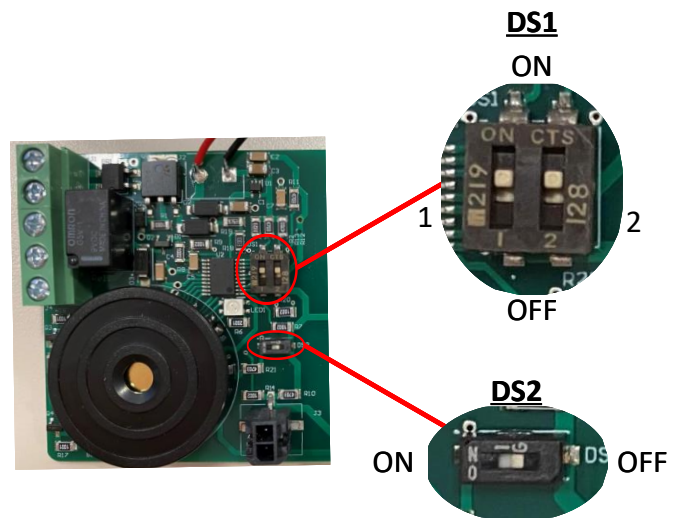
DS1 - Siren Time

1	2	Siren Time	
OFF	OFF	Infinite	← FACTORY DEFAULT
OFF	ON	1 minute	
ON	OFF	3 minute	
ON	ON	7 minute	

- For relay option only: enable or disable relay

DS2 - Relay Output

1	Relay Output	
OFF	Disabled	← FACTORY DEFAULT
ON	Enabled	



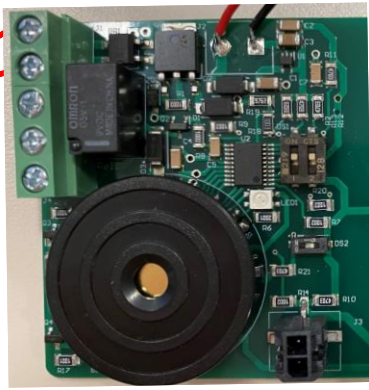
3. ADD OPTIONAL ITEMS

- Connect latchbolt monitor (LM) switch to alarm board
- For relay option:
 - Connect external system to relay terminals

Relay Specs

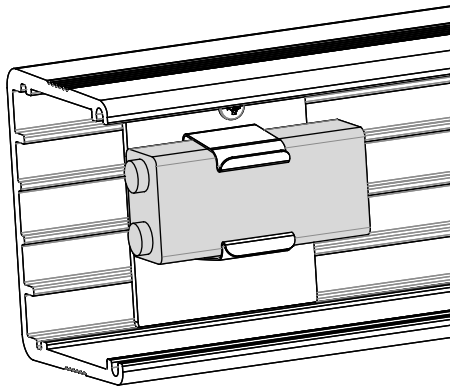
Contact Current Rating	1A
Switching Voltage	125VAC/60VDC MAX

Nonpolar
Power
Terminals



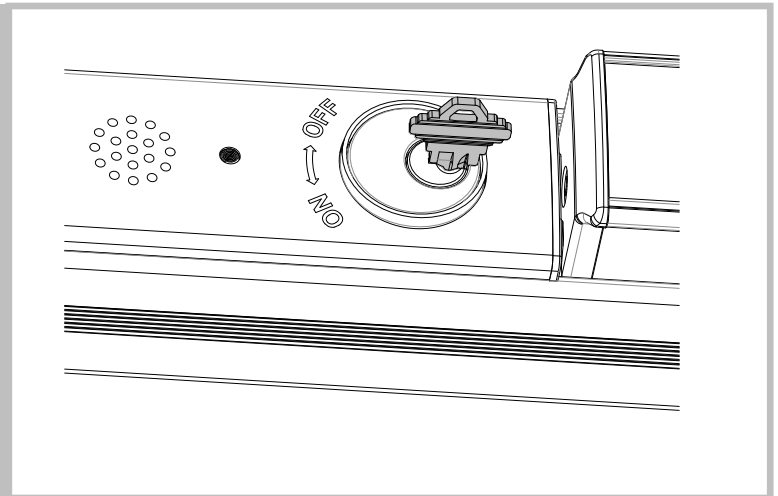
4. APPLY POWER TO ALARM KIT

- Complete one or both of the following:
- Add 12-24VDC/VAC to power terminals
- Install 9V alkaline battery in rail and connect to battery lead



5. VERIFY FUNCTION

- For fire labeled devices:
 - Verify ON and OFF positions
- For panic labeled devices
 - Verify ON and OFF positions
 - Verify OFF and DOGGED - only possible when pushbar is first depressed



6. REINSTALL FILLER PLATE AND END CAP

- Ensure filler plate is flush with main rail
- Reinstall end cap
- Visit pdqlocks.com for alarm kit datasheet

