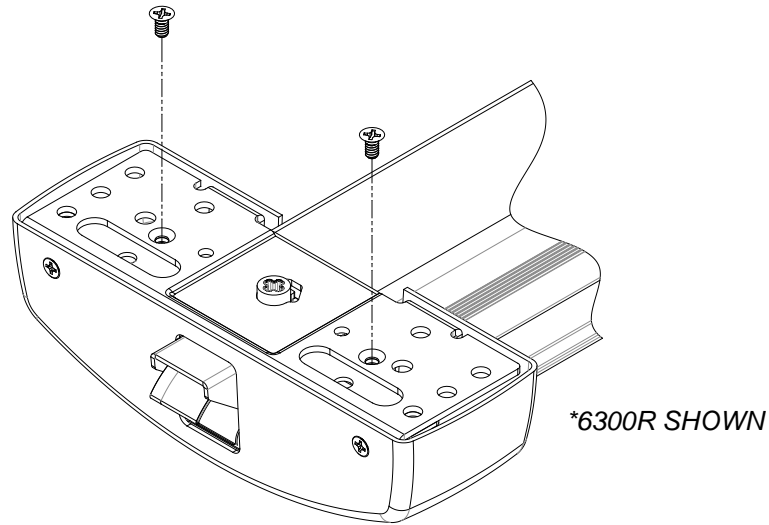


INSTALL CHASSIS HEAD SHIM

1. Remove then discard existing flat head screws on back of chassis head



2. Orient shim, secure with shim kit screws

