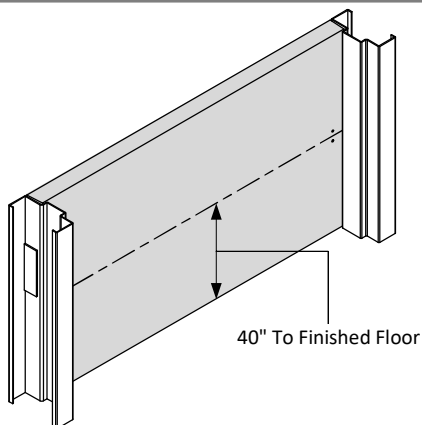


6300D EXIT INSTALLATION INSTRUCTION

DUMMY DEVICE



Phone: 833-2-PDQTEC | www.pdqlocks.com



1. PREPARE DOOR

- Prepare door and frame according to template.

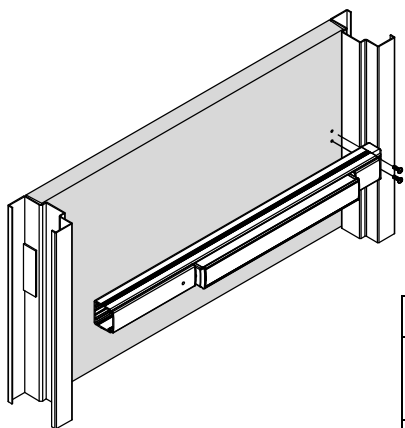
2. SIZE DEVICE

- Standard lengths are for 36" or 48" door. Device must be cut for other lengths.
- Mark length with tape – length equals device size minus desired door size (for 30" door = cut 6" off 36" device) ensuring a square cut.



Maximum cut off length:

	With Dogging	Without Dogging
36" Device	6"	8"
48" Device	12"	14"



3. INSTALL DEVICE

- Install device with 2 screws.
- Device can be surface mounted to the door, optional sex nuts are available.

Mounting Options:

Reinforced Steel or Aluminum Door	Surface Mount: Drill/Tap push side for 1/4-20
Solid Wood Door	Drill 1/8" Pilot Hole for #10 Wood Screw
All Others	Use optional Sex Bolts. Drill push side with 9/32" drill bit. Drill pull side with 3/8" drill bit.

4. INSTALL END CAP

- Slide end cap into rail. Ensure rail is level. Mark the centers of the slots.
- Remove end cap then drill holes using the chart from Step 3.
- Reinstall end cap and fasten with screws.

