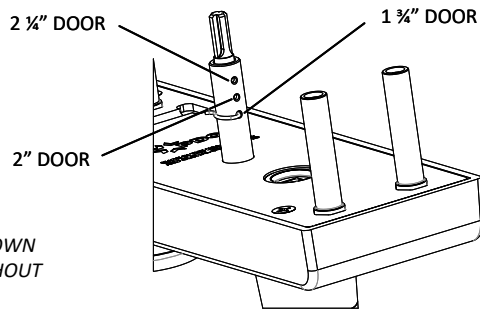


# 6W/6N/6T Exit Device Trim INSTALLATION INSTRUCTIONS



Phone: 833-2-PDQTEC | www.pdqlocks.com

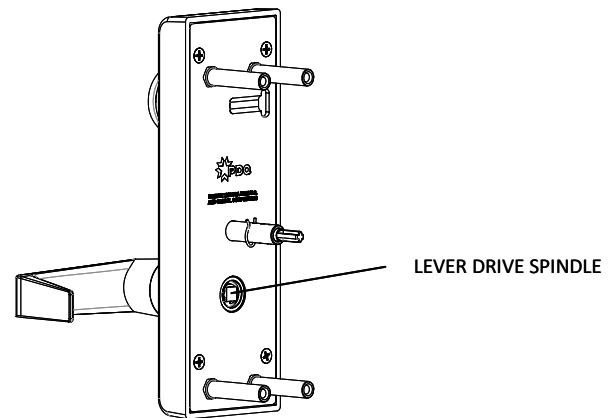
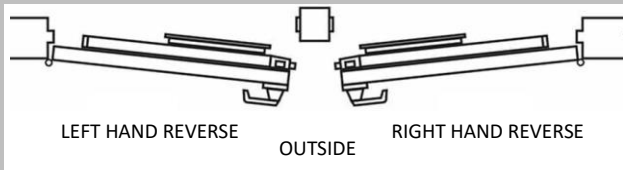


## 1. ADJUST FOR DOOR THICKNESS

- Pin can be moved for 1 3/4", 2" or 2 1/4"
- Remove clip, move pin to desired location, reinstall clip

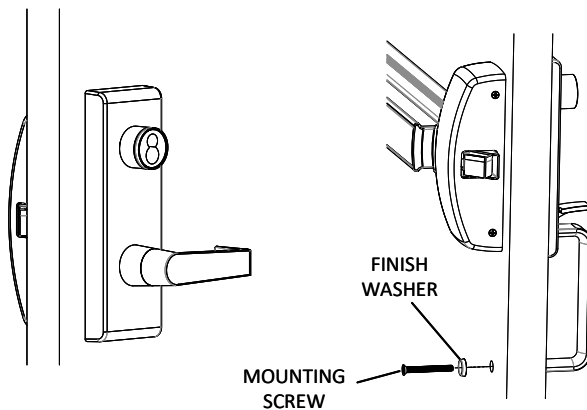
## 2. HAND TRIM – 6W/6N Only

- Adjust lever for proper handing
- Install lever drive spindle



6N/6W

6T



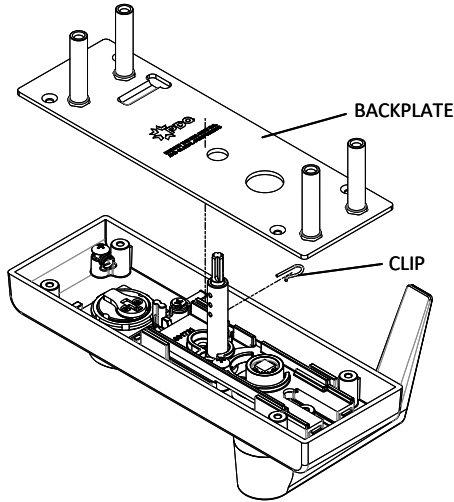
## 3. INSTALL TRIM

- Secure trim and exit device to door
  - Trim will always thru bolt to exit device
- Verify operation of both the trim and the exit device
- 6T only – Secure handle with mounting screw and finish washer

# 6W/6N/6T Exit Device Trim CONVERSION KIT INSTRUCTIONS



Phone: 833-2-PDQTEC | www.pdqlocks.com

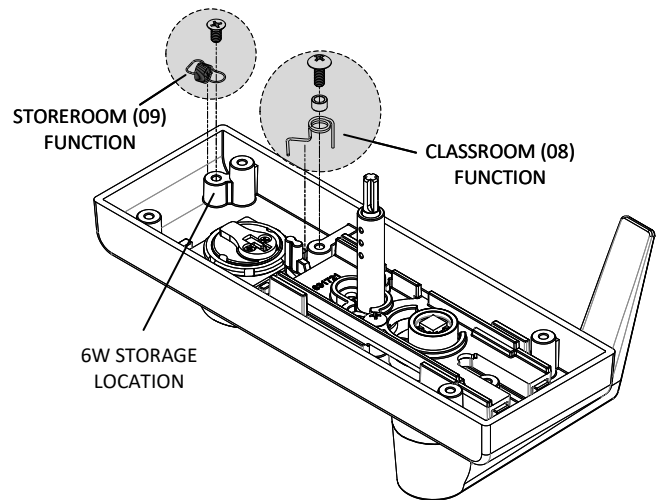


## 1. REMOVE BACKPLATE

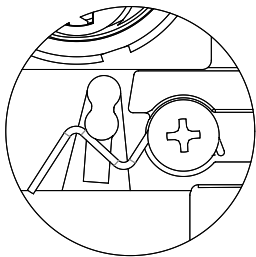
- Remove retaining clip
- Remove (4) screws
- Remove Backplate

## 2. DETERMINE FUNCTION

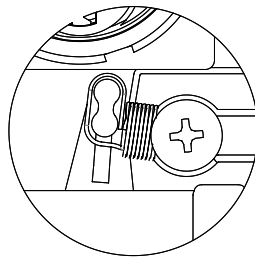
- Standard 6W includes conversion kit within escutcheon
  - 6N/6T conversion kit can be ordered separately



08 FUNCTION



09 FUNCTION



## 3. INSTALL NEW FUNCTION

- Install desired function
  - **08 Function:** Spring engages beneath boss on locking mechanism. Spring spacer must be installed on inside of spring before tightening screw
  - **09 Function:** Extension spring to go around boss on locking mechanism
- *For 6W Only:* Install unneeded function into storage location
- Reinstall backplate and retaining clip