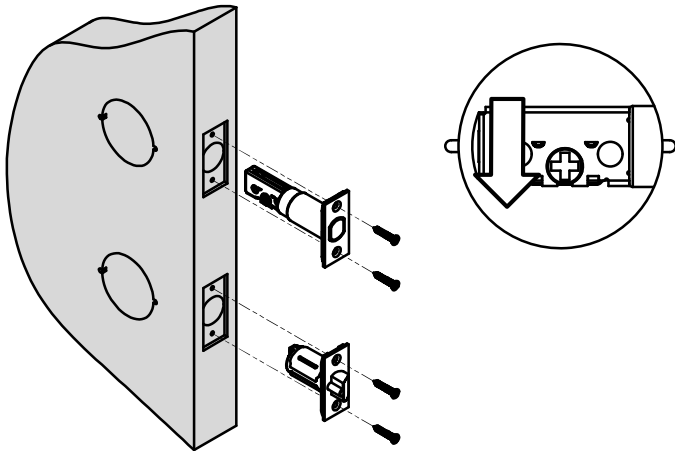


# CLS pdqSMART INSTALLATION INSTRUCTION

## INTERCONNECTED LOCK



Phone: 833-2-PDQTEC | www.pdqlocks.com

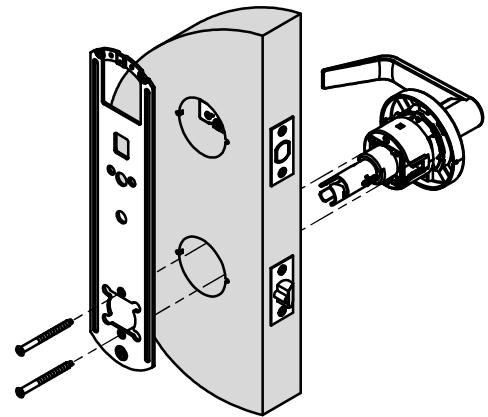


### 1. PREPARE DOOR & INSTALL LATCHES

- Prepare door according to template.
- Install deadbolt latch in top hole with cross slot for tailpiece toward bottom.
- Install beveled latch on bottom with bevel toward door frame.
- Secure with (4) #8 x 3/4" combo screws.

### 2. INSTALL LOCK ASSEMBLY

- Install lock chassis into bottom hole making sure to properly engage lock body into latchbolt.
- Install inside mounting plate and secure with (2) screws.



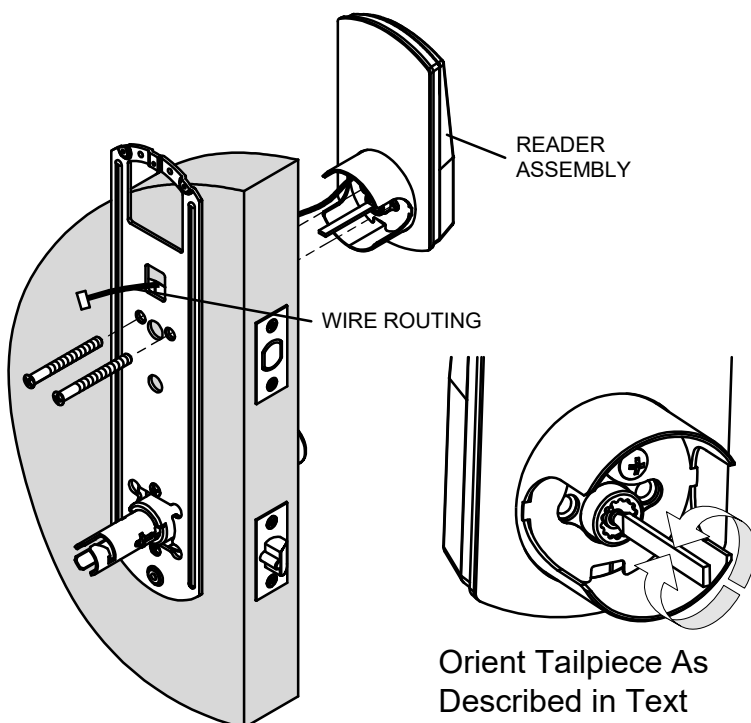
### 3. INSTALL READER ASSEMBLY

Install reader assembly from outside of door – feeding reader wire through chassis hole in door and through square hole in mounting plate – wire routes above deadbolt latch.

Ensure deadbolt is retracted:

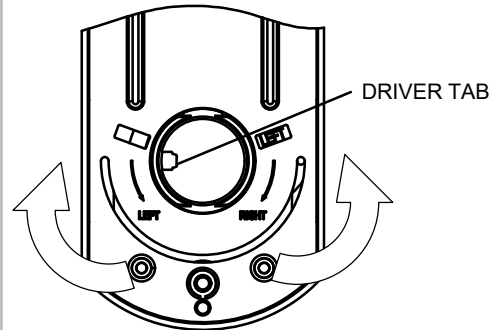
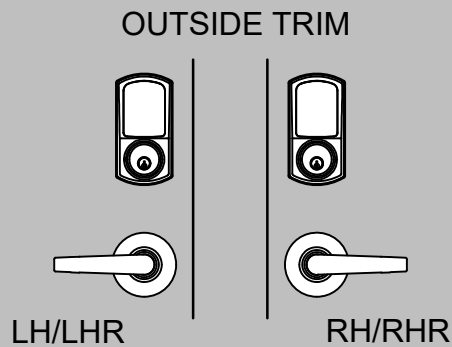
**Left Hand Door** – Rotate tailpiece clockwise until it stops in the vertical orientation.

**Right Hand Door** – Rotate tailpiece counter-clockwise until it stops in the vertical orientation.

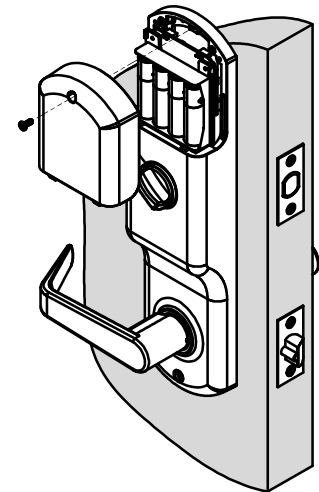
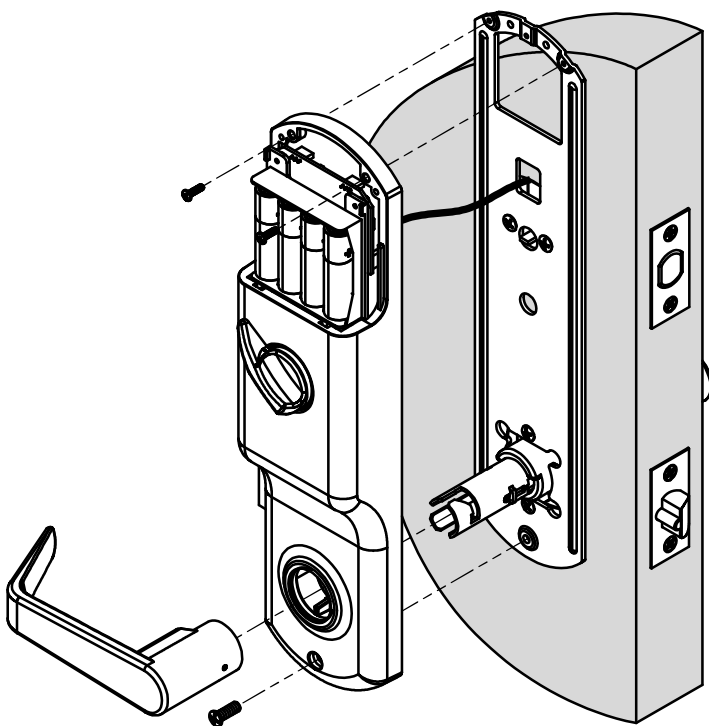
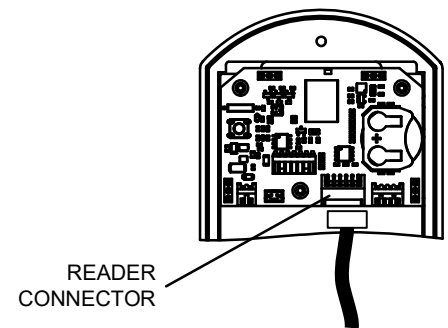


### 4. PREPARE INSIDE ESCUTCHEON

- Rotate lever driver tab to correct orientation as shown.
- Hold escutcheon up to door and connect reader wire to control board.



Rotate Driver Tab  
For Proper Handling



### 5. INSTALL INSIDE ESCUTCHEON AND LEVER

- Rotate thumb turn away from leading edge of door
- Install inside escutcheon. Push excess wire into door cavity.
- Secure escutcheon using two screws.
- Install batteries and battery cover.