

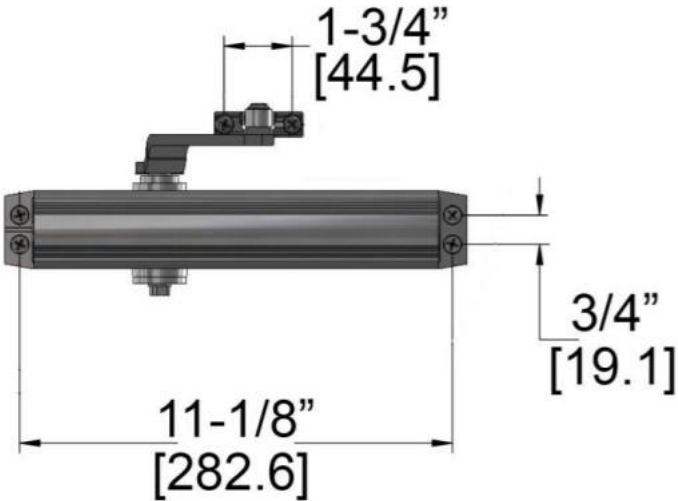



Door Closer Hole Spacing Guide

| Existing Closer Dimension | Corresponding PDQ Closer | Cross Reference |
|---------------------------|--|--|
| | <p style="color: blue; text-decoration: underline;">PDQ 3100 Door Closer</p> <div style="background-color: red; color: white; border-radius: 50%; padding: 10px; display: inline-block; text-align: center;"> <p>Click Here To View Product</p> </div> | <p>Cal Royal 300 Dorma 3800 Dor-O-Matic SC60 Hager 5300 LESS COVER Stanley Commercial QDC300 LCN 1260 Norton 1600 Sargent 1130 Stanley D-1650 Yale 50</p> |

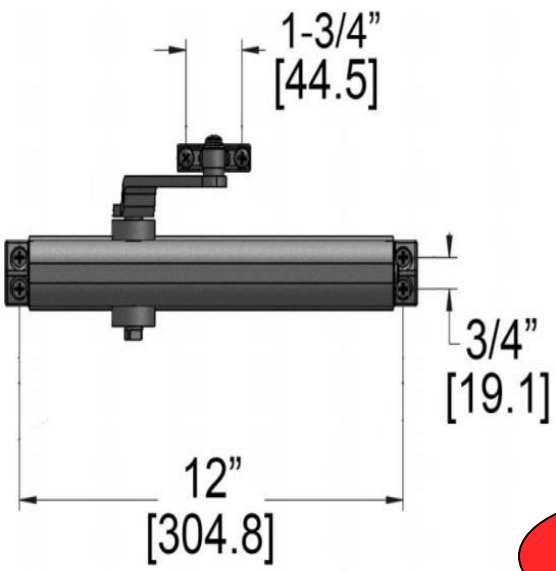


HOW TO ORDER

| SERIES | SIZE | BACKCHECK | ARM TYPES | FINISH | ACCESSORIES |
|--------|---|--|---|---|---|
| 31 | 00 00 – Adjustable Size 3-6 01 01 – Adjustable Size BF - 4 | BC BC – Adjustable Hydraulic Backcheck | PA DS – Door Saver Arm DSHO – Door Saver Hold Open Arm HO – Hold Open, Tri-Pack PA – Tri-Pack (standard) RA – Regular Arm SCS – Spring Cushion Stop SCSHO – Spring Cushion Stop Hold open TA – Track Arm TAHO – Track Arm Hold Open | 689 689 – Aluminum 695 – Duro Bronze 696 – Gold | - BP – Back Plate BS – Blade Stop Spacer DP – Drop Plate NFB – Narrow Frame Bracket SDST – Self Drilling Self Tapping Screws |

| Existing Closer Dimension | Corresponding PDQ Closer | Cross Reference |
|---|---|--|
|  |  <p data-bbox="862 590 1203 625">PDQ 5100 Door Closer</p> <div data-bbox="841 642 1130 793" style="background-color: red; color: white; border-radius: 50%; padding: 10px; text-align: center; width: fit-content; margin: 0 auto;"> <p>Click Here To View Product</p> </div> | <p data-bbox="1258 191 1500 268">Cal Royal 900 Dorma 7414/7436</p> <p data-bbox="1295 289 1463 352">Dor-O-Matic SC60/SC61</p> <p data-bbox="1312 373 1446 401">LCN 1370</p> <p data-bbox="1304 422 1455 449">Norton 160</p> <p data-bbox="1312 470 1446 533">Sargent 1130/1131</p> <p data-bbox="1328 554 1430 581">Yale 51</p> |

HOW TO ORDER

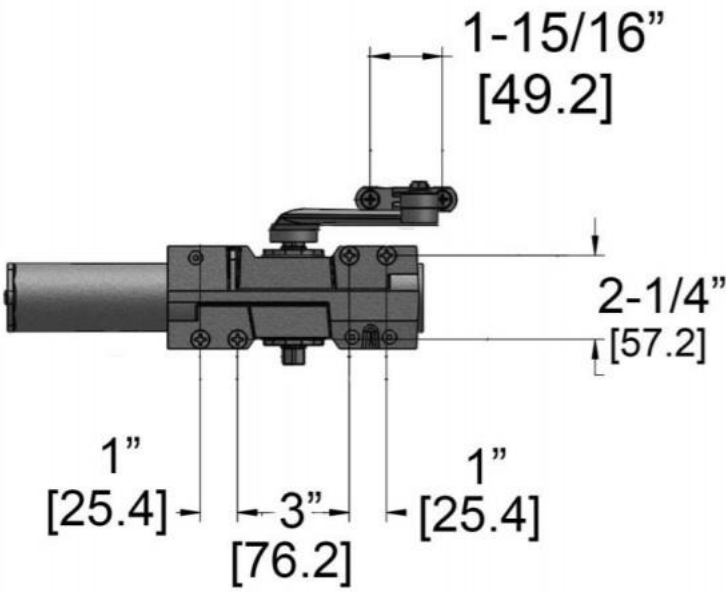

| SERIES | SIZE | BACKCHECK | ARM TYPES | FINISH | ACCESSORIES |
|--|---|---|---|--|--|
| <p data-bbox="212 898 245 926">51</p> | <p data-bbox="440 898 472 926">01</p> <p data-bbox="358 947 553 1100">01 – Non Delayed Action 41 – Delayed Action (In Addition To Backcheck)</p> | <p data-bbox="667 898 699 926">BC</p> <p data-bbox="586 947 764 1024">BC – Adjustable Hydraulic Backcheck</p> | <p data-bbox="894 898 927 926">PA</p> <p data-bbox="813 947 992 1003">DS – Door Saver Arm</p> <p data-bbox="813 1024 992 1102">DSHO – Door Saver Hold Open Arm</p> <p data-bbox="813 1123 992 1180">EDA – Extra Duty Arm</p> <p data-bbox="813 1201 992 1278">EDA HO – Extra Duty Arm Hold Open</p> <p data-bbox="813 1299 992 1356">HO – Hold Open, Tri-Pack</p> <p data-bbox="813 1377 992 1434">PA – Tri-Pack (standard)</p> <p data-bbox="813 1455 992 1512">RA – Regular Arm</p> <p data-bbox="813 1533 992 1589">SCS – Spring Cushion Stop</p> <p data-bbox="813 1610 992 1688">SCSHO – Spring Cushion Stop Hold open</p> <p data-bbox="813 1709 992 1766">TA – Track Arm</p> <p data-bbox="813 1787 992 1843">TAHO – Track Arm Hold Open</p> <p data-bbox="813 1864 992 1921">DA – Delayed Action</p> | <p data-bbox="1122 898 1154 926">689</p> <p data-bbox="1040 947 1219 1003">605 – Polished Brass</p> <p data-bbox="1040 1024 1219 1081">625 – Satin Chrome</p> <p data-bbox="1040 1102 1219 1129">689 – Aluminum</p> <p data-bbox="1040 1150 1219 1178">695 – Duro Bronze</p> <p data-bbox="1040 1199 1219 1226">696 – Gold</p> | <p data-bbox="1382 898 1398 926">-</p> <p data-bbox="1284 947 1463 1003">BP – Back Plate</p> <p data-bbox="1284 1024 1463 1081">BS – Blade Stop Spacer</p> <p data-bbox="1284 1102 1463 1159">DPPA – Parallel Arm Drop Plate</p> <p data-bbox="1284 1180 1463 1236">DPTJ – Top Jamb Drop Plate</p> <p data-bbox="1284 1257 1463 1314">FCM – Full Metal Cover specify hand</p> <p data-bbox="1284 1335 1463 1392">NFB – Narrow Frame Bracket</p> <p data-bbox="1284 1413 1463 1470">SDST – Self Drilling Self Tapping Screws</p> |

| Existing Closer Dimension | Corresponding PDQ Closer | | Cross Reference |
|---|---|--|--|
|  |  <p data-bbox="722 525 950 598">PDQ 5300 Door Closer</p> |  <p data-bbox="998 525 1234 598">PDQ 5500 Door Closer</p> <p data-bbox="990 661 1242 787"><i>Note: The 5300 has a slim cover, while the 5500 has a wide cover.</i></p> | <p data-bbox="1315 189 1461 252">Cal Royal CR801S</p> <p data-bbox="1274 273 1502 336">Corbin/Ruswin DC3200</p> <p data-bbox="1299 357 1477 388">Dorma 8616</p> <p data-bbox="1299 409 1477 472">Dor-O-Matic SC80</p> <p data-bbox="1307 493 1469 525">Hager 5200</p> <p data-bbox="1299 546 1477 640">Stanley Commercial QDC200S</p> <p data-bbox="1282 661 1494 693">LCN 1460/1461</p> <p data-bbox="1299 714 1477 745">Norton 8300</p> <p data-bbox="1299 756 1477 787">Sargent 1430</p> <p data-bbox="1315 808 1461 840">Yale 3300</p> |

[Click Here To View Product](#)

HOW TO ORDER

| SERIES | SIZE | BACKCHECK | ARM TYPES | FINISH | ACCESSORIES |
|---|--|--|--|---|--|
| <p data-bbox="211 997 251 1029">53</p> <p data-bbox="138 1039 324 1071">53 – Slim Cover</p> <p data-bbox="138 1081 324 1113">55 – Full Cover</p> | <p data-bbox="438 997 479 1029">01</p> <p data-bbox="357 1039 560 1102">01 – Non Delayed Action</p> <p data-bbox="357 1113 560 1197">41 – Delayed Action (In Addition To Backcheck)</p> | <p data-bbox="665 997 714 1029">BC</p> <p data-bbox="592 1039 779 1123">BC – Adjustable Hydraulic Backcheck</p> | <p data-bbox="901 997 950 1029">PA</p> <p data-bbox="820 1039 1006 1102">DS – Door Saver Arm</p> <p data-bbox="820 1113 1006 1197">DSHO – Door Saver Hold Open Arm</p> <p data-bbox="820 1207 1006 1270">EDA – Extra Duty Arm</p> <p data-bbox="820 1281 1006 1365">EDAHO – Extra Duty Arm Hold Open</p> <p data-bbox="820 1375 1006 1438">HO – Hold Open, Tri-Pack</p> <p data-bbox="820 1449 1006 1512">PA – Tri-Pack (standard)</p> <p data-bbox="820 1522 1006 1554">RA – Regular Arm</p> <p data-bbox="820 1564 1006 1627">SCS – Spring Cushion Stop</p> <p data-bbox="820 1638 1006 1722">SCSHO – Spring Cushion Stop Hold open</p> <p data-bbox="820 1732 1006 1764">TA – Track Arm</p> <p data-bbox="820 1774 1006 1837">TAHO – Track Arm Hold Open</p> <p data-bbox="820 1848 1006 1911">DA – Delayed Action</p> | <p data-bbox="1128 997 1177 1029">689</p> <p data-bbox="1055 1039 1218 1102">605 – Polished Brass</p> <p data-bbox="1055 1113 1218 1176">625 – Satin Chrome</p> <p data-bbox="1055 1186 1218 1218">689 – Aluminum</p> <p data-bbox="1055 1228 1218 1260">695 – Duro Bronze</p> <p data-bbox="1055 1270 1218 1302">696 – Gold</p> | <p data-bbox="1380 997 1396 1029">-</p> <p data-bbox="1291 1039 1461 1071">BP – Back Plate</p> <p data-bbox="1291 1081 1461 1144">BS – Blade Stop Spacer</p> <p data-bbox="1291 1155 1461 1218">DPPA – Parallel Arm Drop Plate</p> <p data-bbox="1291 1228 1461 1291">DPTJ – Top Jamb Drop Plate</p> <p data-bbox="1291 1302 1461 1365">NFB – Narrow Frame Bracket</p> <p data-bbox="1291 1375 1461 1459">SDST – Self Drilling Self Tapping Screws</p> |

| Existing Closer Dimension | Corresponding PDQ Closer | Cross Reference |
|--|--|---|
|  <p>1-15/16" [49.2] 2-1/4" [57.2] 1" [25.4] - 3" [76.2] - 1" [25.4]</p> |  <p>PDQ 7100 Door Closer</p> <p>Click Here To View Product</p> | <p>Cal Royal CR441 Corbin/Ruswin DC8000 Dorma 8900 Dor-O-Matic SC70 Hager 5100 Stanley Commercial QDC100 LCN 4040 Norton 7500 Sargent 281 Stanley D-4550 Yale 5800/4400</p> |

HOW TO ORDER

| SERIES | SIZE | BACKCHECK | ARM TYPES | FINISH | ACCESSORIES |
|--------|---|-------------------------------------|--|--|---|
| 71 | <p>01 – Non Delayed Action 41 – Delayed Action (In Addition To Backcheck)</p> | BC – Adjustable Hydraulic Backcheck | <p>PA – Tri-Pack (standard) RA – Regular Arm SCS – Spring Cushion Stop SCSHO – Spring Cushion Stop Hold open TA – Track Arm TAHO – Track Arm Hold Open</p> | <p>689 605 – Polished Brass 625 – Satin Chrome 689 – Aluminum 695 – Duro Bronze 696 – Gold</p> | <p>- BP – Back Plate BS – Blade Stop Spacer DPPA – Parallel Arm Drop Plate DPTJ – Top Jamb Drop Plate FCM – Full Metal Cover specify hand NFB – Narrow Frame Bracket SDST – Self Drilling Self Tapping Screws</p> |