

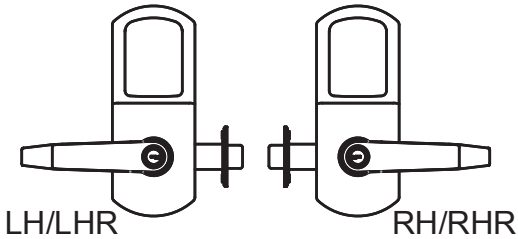
GTS pdqSMART INSTALLATION INSTRUCTION

CYLINDRICAL LOCK

ALL GTS – EXCLUDING STS



Phone: 866-874-3662 | www.pdqlocks.com

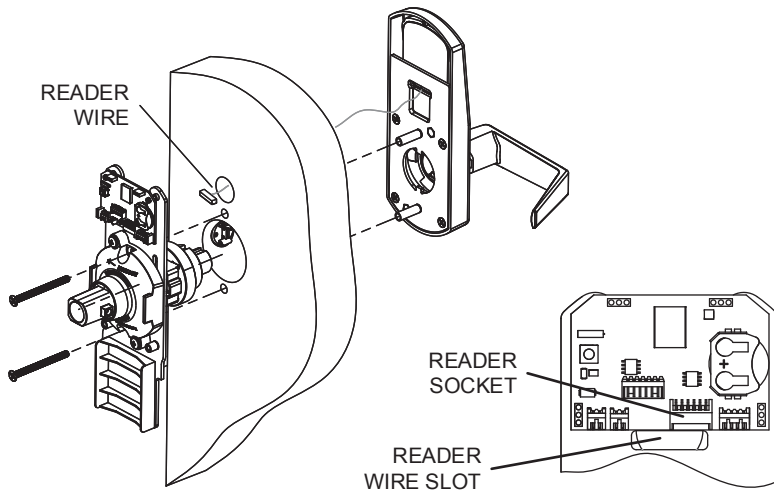
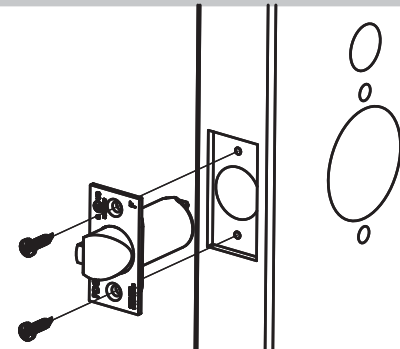


1. CHECK HANDING OF LOCK

- If handing of lock is not correct for opening, see next page for handing instructions.

2. PREPARE DOOR & INSTALL LATCH

- Prepare door according to template.
- Install latch, radius toward door frame
- Secure with (2) #8 x 3/4" combo screws.

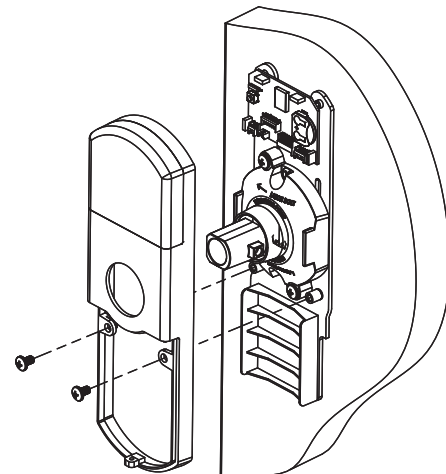


3. INSTALL CHASSIS AND OUTSIDE TRIM

- Install chassis assembly from inside of door.
- Install outside trim assembly – feed reader wire through hole and door and through slot under circuit board. Plug into board. Push extra wire into door cavity.
- Secure with (2) M5 x 0.8 x 60mm flat head screws (thru bolts).

4. INSTALL INSIDE ESCUTCHEON

- Install inside escutcheon.
- Secure with (2) #10-32 x 5/16" pan head screws.



GTS pdqSMART INSTALLATION INSTRUCTION

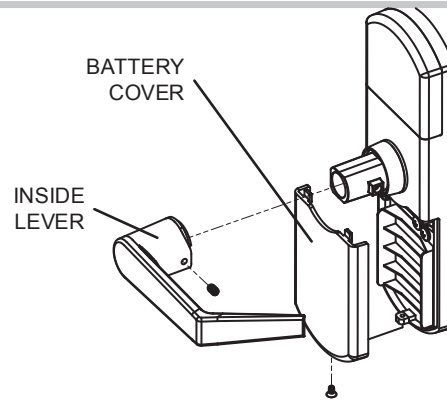
CYLINDRICAL LOCK

ALL GTS – EXCLUDING STS



5. INSTALL BATTERIES AND INSIDE LEVER

- Install batteries and battery cover with #6-32 x 1/4" flat head screw.
- Install inside lever and secure with M5 x 8mm dog point set screw.



HANDING INSTRUCTIONS

AS REQUIRED, ROTATE INSIDE ROSE PLATE AND CHASSIS TO MATCH HAND OF DOOR.

TO ROTATE CHASSIS:

1. Remove rose plate mounting screws, then rose plate.
2. Unplug motor connector. Feed motor connector and wire back through wire chase slot.
3. Rotate chassis 1/2 turn (180°) maximum.
4. Feed motor connector and wire forward through wire chase slot on other side. Re-connect motor connector.
5. Rotate rose plate to index with chassis. (Arrows point to latch bolt edge of door.)
6. Install rose plate, secure with mounting screws.

