

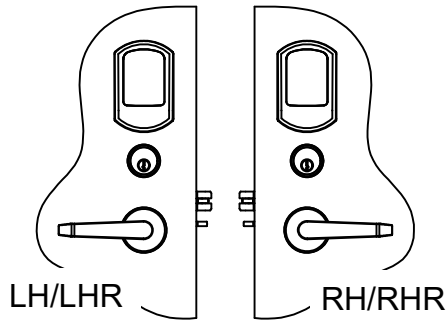
# MRS pdqSMART INSTALLATION INSTRUCTION

## MORTISE LOCK

ALL MRS – EXCLUDING STS



Phone: 866-874-3662 | www.pdqlocks.com

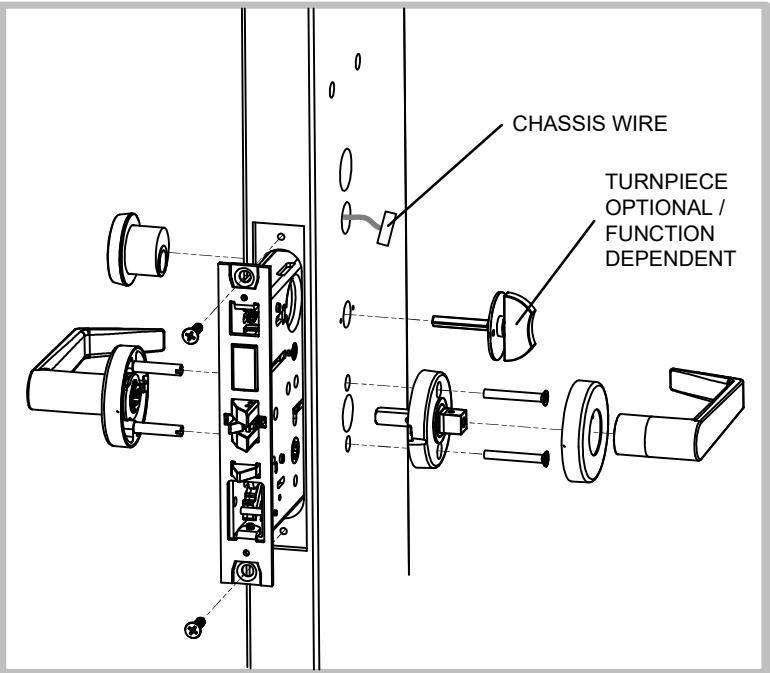


### 1. CHECK HANDING OF LOCK BODY

- If handing of lock body is not correct for opening, consult factory for handing instruction.

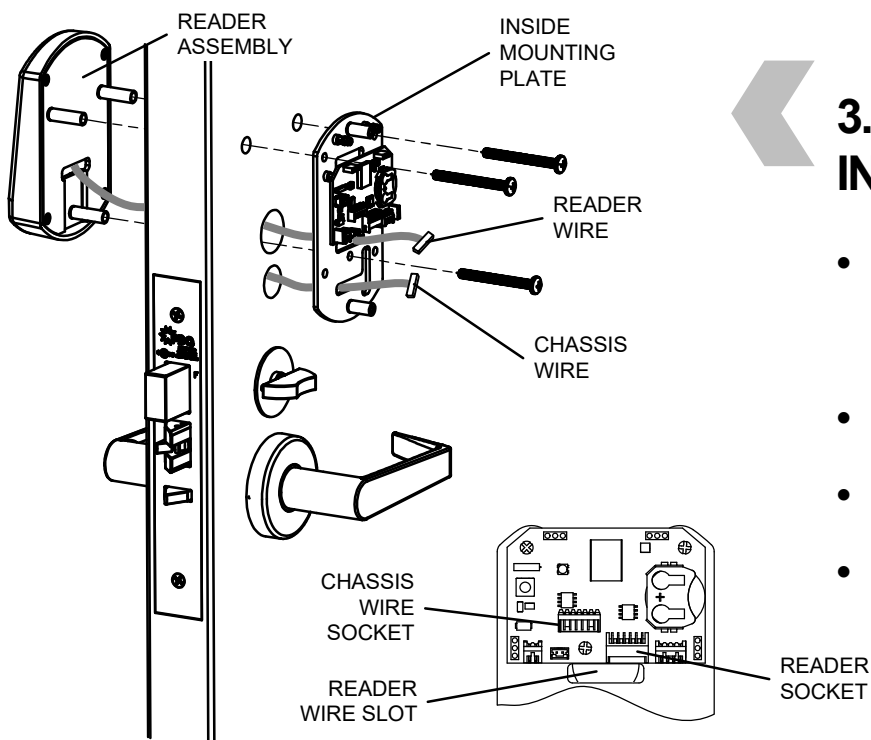
### 2. INSTALL CHASSIS, TRIM, TURNPIECE & CYLINDER

- Prepare door according to included template.
- Install mortise chassis while feeding chassis wire into hole on **inside** of door.
- Gently pull wire through hole as chassis is inserted.
- Install trim using included instruction.



### 3. INSTALL READER AND INSIDE MOUNTING PLATE

- Install reader assembly and inside mounting plate – feed reader wire through hole in door and through slot under circuit board.
- Feed chassis wire through T slot in mounting plate.
- Secure with (3) M5 x 50 pan head screws (thru bolts).
- Make both wire connections after reader is secure. Push extra wire into door cavity.



# MRS pdqSMART INSTALLATION INSTRUCTION

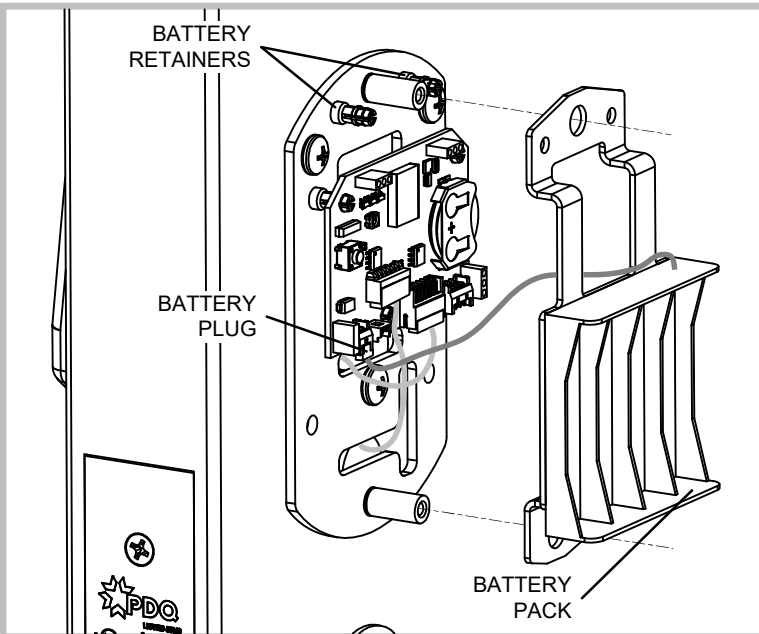
## MORTISE LOCK

ALL MRS – EXCLUDING STS



### 4. INSTALL BATTERY PACK

- Plug in battery wire to control board.
- Install battery pack over two studs on mounting plate.
- Snap battery pack onto retainers on mounting plate.



### 5. INSTALL BATTERIES AND BATTERY COVER

- Install batteries and battery cover with (2) #8-32 x 1" pan head screws.

