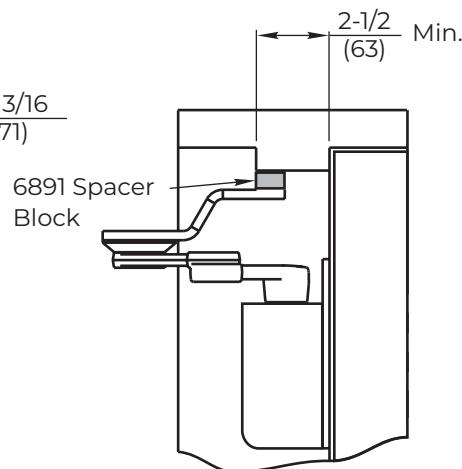


| Installation Dimensions Chart | | | | | |
|-------------------------------|---------------|------------|-----------|-----------|-----------|
| | Dim | Up to 100° | 100°-130° | 130°-150° | 150°-180° |
| PRO7500 | A in. | 8-3/4 | 7-1/4 | 6-1/4 | 5-1/4 |
| PRO7700 | A (mm) | (222) | (184) | (159) | (133) |
| | B in. | 9-1/4 | 7-3/4 | 6-3/4 | 5-3/4 |
| | B (mm) | (235) | (197) | (171) | (146) |

NOTES:

- Do not scale drawing.
 - Left hand door shown.
 - Dimensions are in inches (mm).
 - Hollow-metal doors require channel or box-type reinforcement when thru-bolt mount is specified.
 - Sex-bolts required for wood or plastic faced fire-door mounting.
 - Minimum thickness recommended for reinforcements in hollow-metal doors and frames: .1046" (2.66mm).
 - For **closer installation and adjustments**, refer to standard PR installation instruction provided with product.
- CAUTION:** Door swing may be limited by door, frame, wall, or hardware conditions.



NOTE: Pilot hole **MUST** be drilled when installing on wood doors/frames.

- Prepare These Holes Only When No. 7788 Drop Plate is Used
- ⊕ Prepare These Holes When Not Using No. 7788 Drop Plate
- ⊙ Prepare These Holes For Soffit Plate

| Preparation for Fasteners | | |
|---------------------------|-------------------|---|
| Fasteners | Door or Frame | Drill-Sizes |
| Self-Drilling Screw | Aluminum or Metal | No drill required |
| | Wood (see Note) | 3/16" (4.30 mm) |
| 1/4" - 20 machine screw | Metal | Drill: #7 (0.201" dia.) Tap: 1/4" - 20 |
| Sleeve nuts and bolts | Hollow Metal | 9/32" (7 mm) through; 3/8" (9.5 mm) door face opposite to closer |
| | Aluminum or Wood | 3/8" (9.5 mm) through |

PRO7700 and PRO7700H Series Sized Door Closers
PRO7500 and PRO7500H Series Multi-Size Door Closers
 With 6891 Spacer Block and With or Without 7788 Drop Plate
 Parallel Rigid Arm with Offset Soffit Plate for Extra Drop Clearance
 Non-Hold Open or Hold Open Arm Application

Approved 2023-04-14



ASSA ABLOY
www.nortonrixson.com

| | | |
|------------------|-----|-------|
| TEMPLATE NUMBER | REV | DATE |
| 80-7377-1414-020 | 1 | 04/23 |