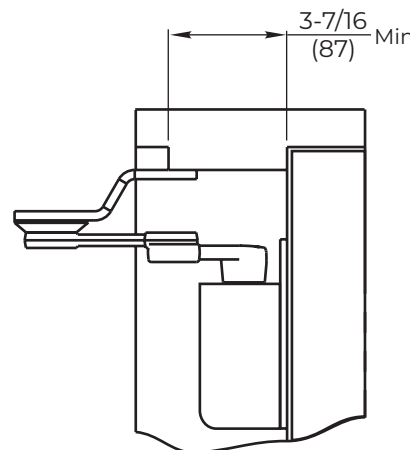


Installation Dimensions Chart					
	Dim	Up to 100°	100°-130°	130°-150°	150°-180°
PRO7500	A in.	8-3/4	7-1/4	6-1/4	5-1/4
PRO7700	A (mm)	(222)	(184)	(159)	(133)
	B in.	9-1/4	7-3/4	6-3/4	5-3/4
	B (mm)	(235)	(197)	(171)	(146)

NOTES:

- Do not scale drawing.
- Left hand door shown.
- Dimensions are in inches (mm).
- Hollow-metal doors require channel or box-type reinforcement when thru-bolt mount is specified.
- Sex-bolts required for wood or plastic faced fire-door mounting.
- Minimum thickness recommended for reinforcements in hollow-metal doors and frames: .1046" (2.66mm).
- For **closer installation and adjustments**, refer to standard PR installation instruction provided with product.

CAUTION: Door swing may be limited by door, frame, wall, or hardware conditions.



NOTE: Pilot hole **MUST** be drilled when installing on wood doors/frames.

- Prepare These Holes Only When No. 7788 Drop Plate is Used
- ⊕ Prepare These Holes When Not Using No. 7788 Drop Plate
- ⊙ Prepare These Holes For Soffit Plate

Preparation for Fasteners		
Fasteners	Door or Frame	Drill-Sizes
Self-Drilling Screw	Aluminum or Metal	No drill required
	Wood (see Note)	3/16" (4.30 mm)
1/4" - 20 machine screw	Metal	Drill: #7 (0.201" dia.) Tap: 1/4" - 20
Sleeve nuts and bolts	Hollow Metal	9/32" (7 mm) through; 3/8" (9.5 mm) door face opposite to closer
	Aluminum or Wood	3/8" (9.5 mm) through

PRO7700 and PRO7700H Series Sized Door Closers
PRO7500 and PRO7500H Series Multi-Size Door Closers
 With or Without 7788 Drop Plate. To Clear 1-5/8" x 5/8" Coordinator Parallel Rigid Arm with Offset Soffit Plate for Extra Drop Clearance
Non-Hold Open or Hold Open Arm Application

Approved 2023-04-14



TEMPLATE NUMBER	REV	DATE
80-7377-1413-020	1	04/23