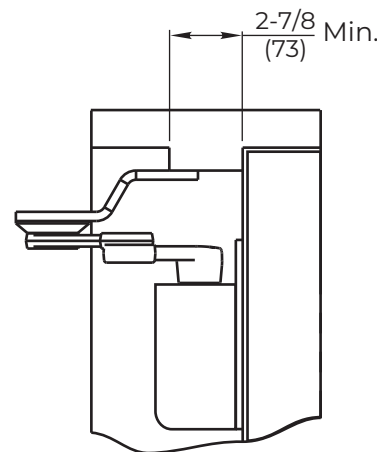


Installation Dimensions Chart			
	Dim	Up to 120°	120°-180°
PRO8000	A	in. 3-3/4 (95)	1-1/4 (32)
	B	in. 9-1/2 (241)	7 (178)



NOTES:

- Do not scale drawing.
 - Left hand door shown.
 - Dimensions are in inches (mm).
 - Hollow-metal doors require channel or box-type reinforcement when thru-bolt mount is specified.
 - Sex-bolts required for wood or plastic faced fire-door mounting.
 - Minimum thickness recommended for reinforcements in hollow-metal doors and frames: .1046" (2.66mm).
 - For **closer installation and adjustments**, refer to standard PR installation instruction provided with product.
- CAUTION:** Door swing may be limited by door, frame, wall, or hardware conditions.

NOTE: Pilot hole **MUST** be drilled when installing on wood doors/frames.

- Prepare These Holes Only When No. 8148/8158/8548 Drop Plate is Used
- ⊕ Prepare These Holes When Not Using Drop Plate
- ⊙ Prepare These Holes For Soffit Plate

Preparation for Fasteners		
Fasteners	Door or Frame	Drill-Sizes
Self-Drilling Screw	Aluminum or Metal	No drill required
	Wood (see Note)	3/16" (4.30 mm)
1/4" - 20 machine screw	Metal	Drill: #7 (0.201" dia.) Tap: 1/4" - 20
Sleeve nuts and bolts	Hollow Metal	9/32" (7 mm) through; 3/8" (9.5 mm) door face opposite to closer
	Aluminum or Wood	3/8" (9.5 mm) through

**PRO8000 and PRO8000H Series Door Closers
 With or Without 8148/8158/8548 Drop Plate
 Parallel Rigid Arm with Offset Soffit Plate for Extra Drop Clearance
 Non-Hold Open or Hold Open Arm Application**



TEMPLATE NUMBER	REV	DATE
80-7380-1413-020	1	04/23