

PT200, PT200EZ, PT1000, PT1000EZ, PT1200EZ, PTC5E & PTC6 PLUS POWER TRANSFER

FOR USE WITH:

- DOOR THICKNESS 1-3/4" TO 2"
- BUTT HINGES UP TO 5" FOR MAX 180 DEG. DOOR SWING
- 5-1/2" BUTT HINGES FOR MAX 130 DEG. DOOR SWING (1-3/4" THICK DOOR ONLY)
- 6" BUTT HINGES FOR MAX 110 DEG. DOOR SWING (1-3/4" THICK DOOR ONLY)
- 3/4" OFFSET PIVOTS FOR 180 DEG. MAX DOOR SWING (1-3/4" THICK DOOR ONLY)



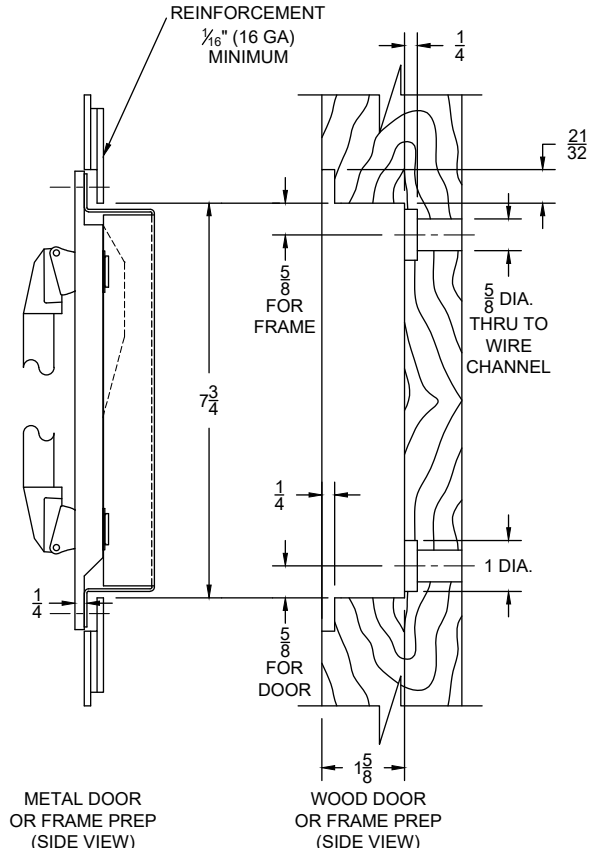
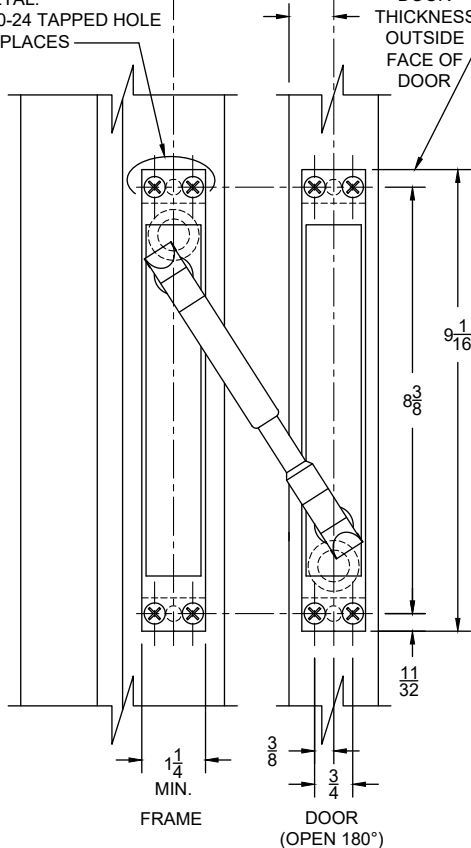
☉ OF PT IN FRAME MUST ALIGN WITH ☉ OF PT IN DOOR

WOOD:
HOLES PREPARED DURING INSTALL
METAL:
#10-24 TAPPED HOLE
12 PLACES

3/4" MAX. WHEN INSTALLED

DIMENSION VARIES PER DOOR THICKNESS OUTSIDE FACE OF DOOR

RECOMMENDED 6" BELOW UPPER HINGE ON DOORS UP TO 7'0" HIGH.
LOCATE 24" BELOW UPPER HINGE ON DOORS OVER 7'0" TO 10'0" HIGH.
NOTE: FOR WOOD FIRE DOOR, CONSULT DOOR MANUFACTURE FOR APPROVED LOCATION.



ELECTRICAL RATINGS

PT200	(2) 18 AWG WIRES-MAX. RATING 24VDC, 5A OR 120VAC NEC CLASS 3
PT200EZ* with Molex® Micro-Fit 3.0 Connectors	(2) 18 AWG WIRES-MAX. RATING 24VDC, 5A OR 120VAC NEC CLASS 3
PT1000	(10) 24 AWG WIRES-MAX. RATING 24VDC, 1A
PT1000EZ* with Molex® Micro-Fit 3.0 Connectors	(12) 24 AWG WIRES-MAX. RATING 24VDC, 1A
PT1200EZ* with Molex® Mini-Fit Jr. Connectors	(10) 24 AWG WIRES-MAX. RATING 24VDC, 1A, (2) 18 AWG WIRES-MAX. RATING 24VDC, 5A OR 120VAC NEC CLASS 3
PTC5E	CAT-5E STANDARD ETHERNET CABLE, (MAX. 350 MHz), (1) 22 AWG WIRE; MAX. RATING: 24 VDC, 1A
PTC6PLUS	CAT 6 STANDARD ETHERNET CABLE (MAX. 550 MHz) (1) 22 AWG WIRE; MAX. RATING: 24 VDC, 1A

*EZ INDICATES MODEL WITH ABH EZ CONNECT WIRE CONNECTORS

© BRAND NAMES ARE TRADEMARKS OR REGISTERED TRADEMARKS OF THEIR RESPECTIVE COMPANIES

PT200 & PT1000-07.DWG



www.abhmfg.com

E-mail: abhinfo@abhmfg.com

Architectural Builders Hardware Mfg., Inc.

1222 Ardmore Ave., Itasca, IL 60143

630.875.9900; FAX 800.9FAXABH (932.9224)

PT200, PT200EZ, PT1000, PT1000EZ
PT1200EZ, PTC5E & PTC6PLUS

© 2022 ABH Mfg., Inc.
printed in USA

PAGE 1 OF 1
REVISED 4-29-22