

Experience a safer  
and more open world

## Pemko Eco-V<sup>®</sup> Bio-based Extrusions

### An eco-friendly alternative to traditional vinyl material

Eco-V<sup>®</sup> is a GREENGUARD Gold certified, eco-friendly material used in many Pemko products. Unlike traditional petroleum-based vinyl, this economical bio-based material contains no phthalates or heavy metals. This assists building and design teams with emissions criteria in green building rating programs such as LEED<sup>®</sup> and CHPS.

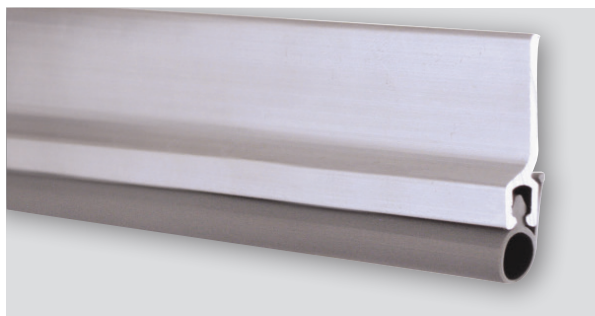
The transition to Pemko Eco-V<sup>®</sup> will result in the removal of 350 tons of greenhouse gases from the environment per year, based on the US EPA website formulas.

Available in 7 solid thresholds and over 40 different gasket insert profiles on hundreds of standard Pemko products, Eco-V<sup>®</sup> is highly versatile and easily deployable for a wide variety of building applications.

This material also surpasses the quality and durability of traditional vinyl resulting in a longer service life and less need for replacement. In addition, it meets the Pemko gasketing standards for compression and tensile strength, which provides exceptional energy-saving performance.

Features	Benefits
Bio-based, phthalate-free, no heavy metals	Environmentally friendly
Durable material with long service life	Maintenance free
Meets compression and tensile strength standards	Saves energy, prevents air leakage
Available in over 40 gasket insert profiles	Versatile for many applications
GREENGUARD Gold Certified	Low chemical emissions into indoor air during product use

Copyright © 2013-2019,  
ASSA ABLOY Accessories and  
Door Controls Group, Inc.



The ASSA ABLOY Group is the global leader in access solutions. Every day, we help billions of people experience a more open world.

## Sustainable Solutions



The Pemko Eco-V® material options have achieved GREENGUARD Gold Certification. GREENGUARD Certified products are certified to GREENGUARD standards for low chemical emissions into indoor air during product usage. For more information, visit [ul.com/gg](http://ul.com/gg).

The GREENGUARD Gold Certification reaffirms the commitment throughout ASSA ABLOY to continually provide sustainable solutions that meet the highest levels of performance.

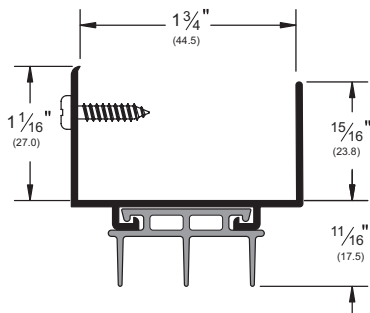
## Availability

The Pemko Eco-V® material replaces traditional vinyl. It is available in 7 solid thresholds and in over 40 different gasket insert profiles on hundreds of standard Pemko products. Except for the solid thresholds, the nomenclature will not change, but the material has been transitioned to Eco-V. The product labels and technical documents will show the Eco-V material callout. Three colors are available: white, gray, black, and brown (not all colors are available in all shapes).

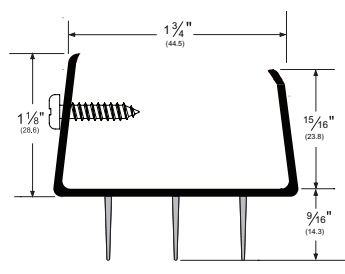
## Example Profiles

The items below represent a small example of profiles that are now available using the Eco-V® material:

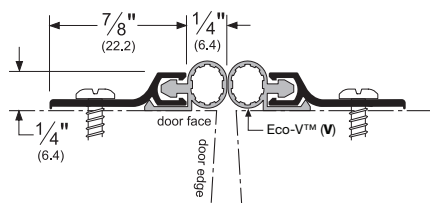
2173\_V



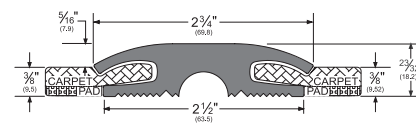
2170\_V



303\_V



EV232\_



## Material Specifications:

### Material:

Bio-based, phthalate and heavy metal free material

### Low Volatile Organic Compounds (VOCs):

- Passes GreenGuard Indoor Air Quality and Children & Schools requirements. GREENGUARD Gold Certified.

### Renewable Carbon Content:

- Minimum of 25% renewable carbon

### Sustainable:

- Plasticizers from renewable carbon sources (non-petroleum based feedstock)
- Stabilizers are organic-based and zinc free
- Heavy metal free

### Performance compared to petroleum based vinyl:

- Equal or better low temperature properties
- Equal or better dynamic thermal stability and color hold
- Equal or better outdoor weatherability



ASSA ABLOY is a member of the USGBC and CaGBC. U.S. Green Building Council logo is a trademark owned by the U.S. Green Building Council and is used with permission.

## ARCHITECTURAL DOOR ACCESSORIES™

Markar | McKinney | Pemko | Rockwood

ASSA ABLOY Opening Solutions  
Architectural Door Accessories  
5535 Distribution Drive, Memphis, TN 38141  
[orders.pemko@assaabloy.com](mailto:orders.pemko@assaabloy.com)  
[www.assaabloydooraccessories.us](http://www.assaabloydooraccessories.us)

Memphis, TN USA  
P: 800 824-3018  
F: 800 243-3656

Ventura, CA USA  
P: 800 283-9988  
F: 800 283-4050

Vaughan, ON CA  
P: 800.461.3007  
F: 800.461.8989