

Pemko Privacy Door Latch

Increase Privacy, Reduce Door and Frame Damage

The Pemko Privacy Door Latch (PDL) is recommended for environments with corridor-to-interior openings such as hotels or dormitories. This durable accessory allows the door to be opened for identification while providing privacy for the guest or resident.

The design of the PDL does not allow the door to be held open, avoiding door and frame damage caused by the door slamming against a traditional flip latch or chain. The PDL's silicone pads provide additional protection for the door.

The PDL is UL Classified as a fire door accessory. It also meets the requirements of NFPA 80 Sections 5.2.4.2 and 5.2.13.3, that requires auxiliary hardware does not interfere or prohibit the proper operation of fire rated doors, and that doors are not blocked or wedged in the open position.

Features	Benefits
Simple to operate	Easy for guests/residents to use
Increased guest privacy	Allows for visitor identification
Cannot be used to hold door open	Meets NFPA 80 5.2.13.3
Does not interfere with proper door operation	Meets NFPA 80 5.2.4.2(9) for auxiliary hardware items
Easy to install	Saves time on the job

Applications:

- Hospitality
- University Housing
- Military Housing
- Condominiums
- Apartment Buildings
- Private Residences

Copyright © 2012-2019, ASSA ABLOY Accessories and Door Controls Group, Inc.



The ASSA ABLOY Group is the global leader in access solutions. Every day, we help billions of people experience a more open world.

Privacy Solutions

Door guards, flip latches and sliding chains have been used as means to provide privacy for guests and residents. However, these devices have been misused to prop doors open, causing damage to the door and frame as well as defeating the purpose of a fire-rated door.

The Pemko Privacy Door Latch allows guests or residents to identify persons outside the door without fully opening the door. The PDL cannot be used to hold the door open, allowing for privacy, preventing damage, and meeting NFPA Requirements.



Door Open



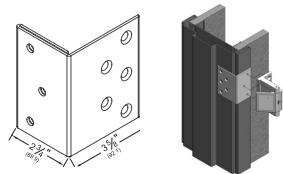
Door Closed

Accessories:

Privacy Door Latch Bracket

Designed for Timely or Redi-Frame door frames with snap-on trim. Bracket allows PDL to be installed in the correct position by overcoming the backset created by trim.

PDLBRKT_



Privacy Door Latch Decals

Used to cover holes left on door and frame from old style door latch. Per NFPA80, holes must first be filled with like material in order to maintain the fire opening rating.

PDL-D1



PDL-D2

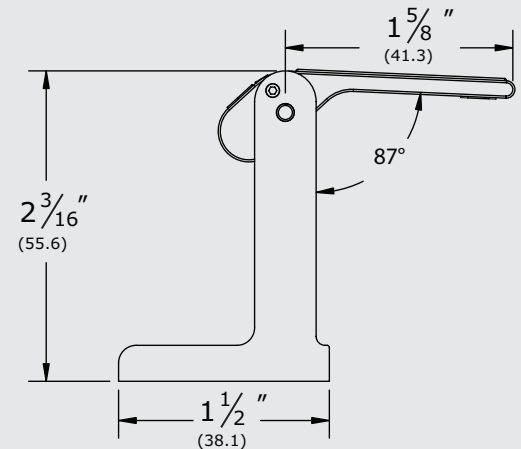


Technical Specifications:

Material: Z5 Zamak
Height: 2³/₁₆" (55.6 mm)
Width (Base): 1¹/₂" (38.1 mm)
Width (Open): 2³/₄" (69.8 mm)
Weight: 0.75 lbs./unit
Opening Angle: 87°
Fasteners: Supplied with #12 x 1³/₄" Phillips Flat Head screws

Finishes:

US3 Polished Brass
 US4 Satin Brass
 US10B Oil Rubbed Bronze
 US26 Polished Chrome
 US26D/15 Satin Chrome/Satin Nickel



ARCHITECTURAL DOOR ACCESSORIES™

Markar | McKinney | Pemko | Rockwood

ASSA ABLOY Opening Solutions
 Architectural Door Accessories
 5535 Distribution Drive, Memphis, TN 38141
 orders.pemko@assaabloy.com
 www.assaabloydooraccessories.us

Memphis, TN USA
 P: 800 824-3018
 F: 800 243-3656

Ventura, CA USA
 P: 800 283-9988
 F: 800 283-4050

Vaughan, ON CA
 P: 800.461.3007
 F: 800.461.8989